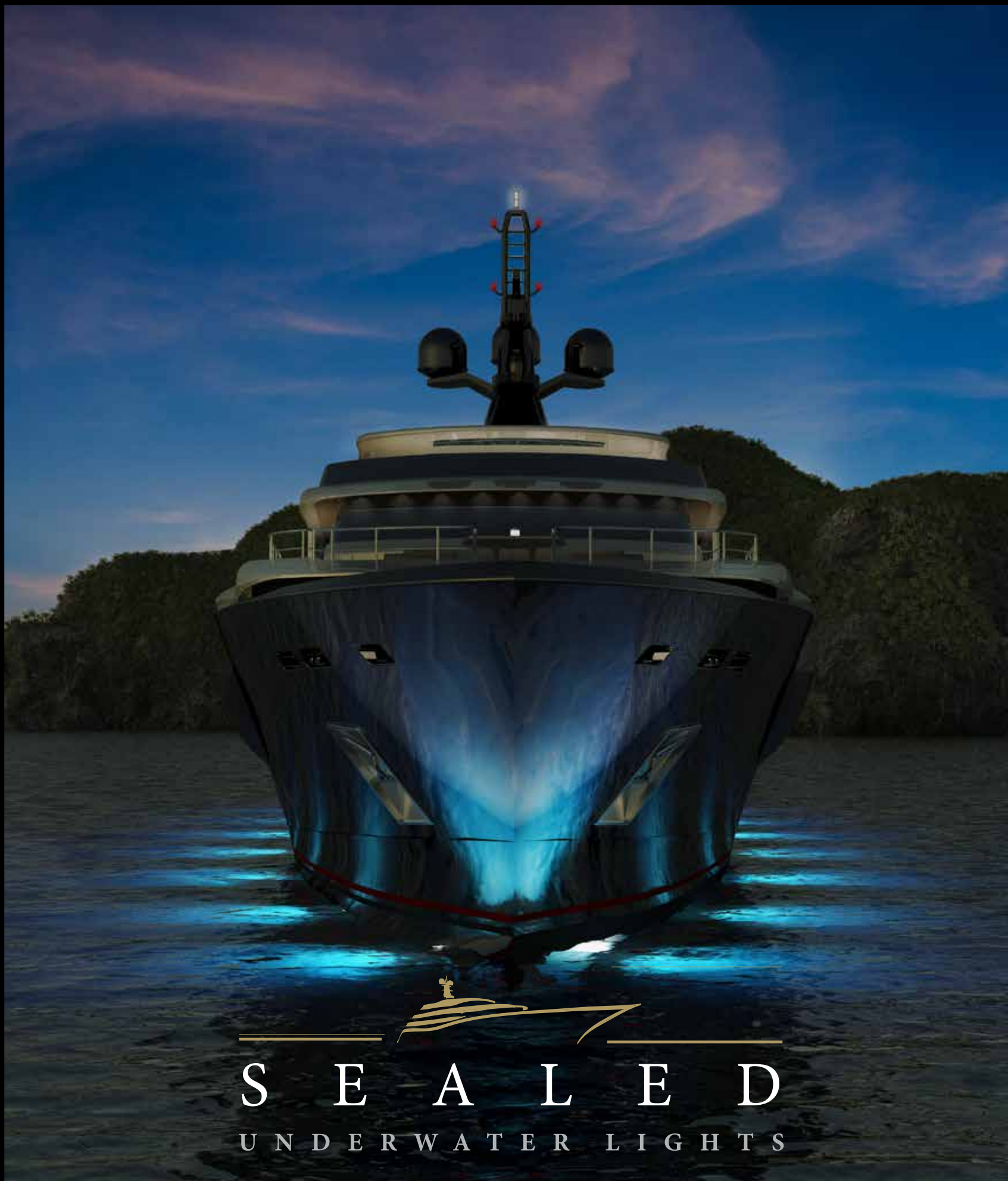


Cantalupi[®]
LIGHTING

COLLECTION
2015




S E A L E D
U N D E R W A T E R L I G H T S

THE ITALIAN ART OF YACHT LIGHTING



SEALED SERIES

TOWARDS A NEW HORIZON

"Dear Customer,

When LED (Light Emitting Diode) technology was born a big change occurred in the lighting world. Many innovations and developments of this technique have followed.

There was the need of a technology more suitable to the present, more respectable towards the world, more functional to man.

Quickly we understood its potentials since we have always looked for a better light.

The interiors' beauty must shine, the architectural choices have to be enhanced, as well as the materials' value."

Sincerely,

COMPANY PROFILE

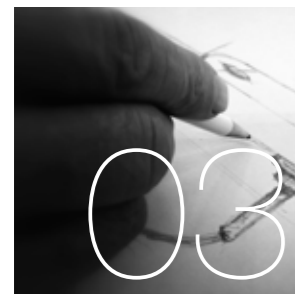
The company Cantalupi was born in the heart of Tuscany in 1951 and immediately specialized in producing electrical systems. The company evolved quickly, harnessing technology with passion for excellence as it concentrated on its work on the luxury yachting field with professionalism and elegance, designing and building electrical systems for over 500 yachts. Taking advantage of this experience, in 1990 Cantalupi Lighting was founded, and the company soon became a success throughout the world by combining a masterful artisan culture with a unique and modern taste. The history of the company has determined the present focusing on the love for beauty and refinement.



RESEARCH & DEVELOPMENT



MARKETING DEPARTMENT



DESIGN & STYLING DEPARTMENT



ENGINEERING DEPARTMENT



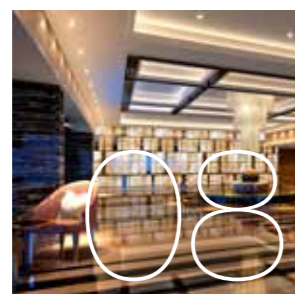
TESTING & QUALITY CONTROL



LIGHTING PLANNING AND CONSULTANCY



LED LIGHTING TRAINING FOR CUSTOMERS



PHOTOREALISTIC RENDER DEVELOPMENT



CUSTOM PRODUCTION DEPARTMENT



LED LIGHTING INTEGRATIONS DEPARTMENT



PRODUCTION DEPARTMENT



ELECTRONICS DESIGN & CONSULTING



ELECTRICAL SYSTEMS DESIGN & PRODUCTION



QUALITY ASSURANCE

MECHANICAL PRODUCTION

SEALED® lights are made in stainless steel (AISI 316L) to be installed underwater on both steel hulls with weld-in cofferdam and thru-hull on fiberglass hulls. They are designed according to the IP68 (CEI-EN 60529) rules and regulations. All SEALED® lights are easy-to-service and inspectable from the inside of the yacht without hauling the hull out of the water thanks to their great accessibility. The SEALED® grant the maximum security onboard because they are designed to fit the purpose and tested to resist the highest pressures and impacts.

The SEALED® are more secure for the highest safety onboard: they offer up to three security levels against an accidental water ingress.



LIGHTING VALUE

The photometric data are measured in our laboratories using the most advanced instruments and procedures i.e. Lux and Lumens are measured on a three axis plan. The data are then elaborated by a special software whose output are the photometric curve, the lighting flux and the beam angle. The procedures are compliant with the international UNI EN 13032, CIE 121 regulations.

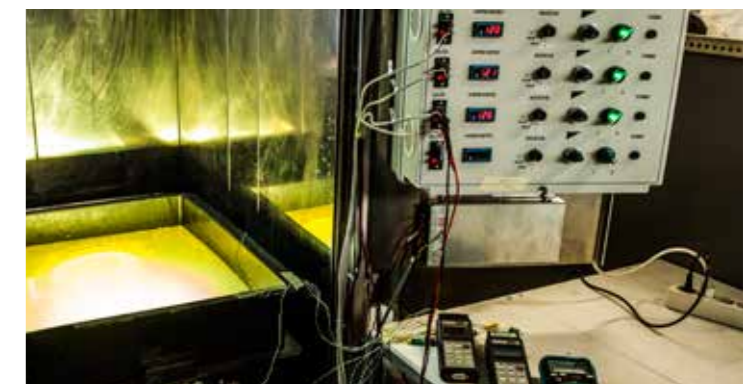
Every LED used on the SEALED® is binned by the supplier and factory-tested to guarantee the consistency with the same colour temperature and working parameters for each LED.



THERMAL TESTS

Thermal tests are executed in our labs by highly qualified operators. The tests, according to the regulations, are run using seven probes to control the temperature on the cofferdam and the mechanic parts of the light body (three probes are dedicated to the measurement of the LED temperature and one probe is for the control of the temperature inside the cofferdam).

The thermal tests are run for 24h and the data are constantly checked then communicated to the certification authority. We care very much about the test and the resulting data putting ourselves always in the worst conditions even if they are less likely to be real. We prefer to over-stress the components simulating the extreme operating conditions to guarantee the perfect LED light to our customers.



IP68 WATERTIGHT TEST

The watertight test is executed in our specialized labs. The tests procedures are compliant to the IP6X / IPX8 procedures:

- IP6X Test: control of the penetration of the powder in a vacuum room for a period of 24h.
- IPX8 Test: control of the hydraulic pressure of a SEALED installed underwater and tested using a pressure of 240 kPa for a period of 24h.

At the end of the IP6X/IPX8 tests, the test is repeated taking off the lens to check the tightness of the safety barriers.

This final test is run over a period of 24h; the same IPX8 test is made for the back door and the cable gland of the cofferdam.








MY / SERIES PAGE - 8

STEEL HULLS VERSION



STANDARD MODEL

MY18		18.000 LUMENS 5000 K	_____	PAGE - 16
MY13		13.000 LUMENS 5000 K	_____	PAGE - 17
MYR7		RGB + W	_____	PAGE - 18

MYA / SERIES PAGE - 20

STEEL HULLS VERSION




ADJUSTABLE MODEL

MYA13		13.000 LUMENS 5000 K	_____	PAGE - 28
MYAR7		RGB + W	_____	PAGE - 29

SY / SERIES PAGE - 30

STEEL & ALUMINUM HULLS VERSIONS




STANDARD MODEL

SY9		9.000 LUMENS 5000 K	_____	PAGE - 38
SY5		5000 LUMENS 5000 K	_____	PAGE - 39
SYR2		RGB + W	_____	PAGE - 40

FY / SERIES PAGE - 42


FIBER GLASS HULLS VERSION

STANDARD MODEL

FY9		9.000 LUMENS 5000 K	_____	PAGE - 50
FY5		5000 LUMENS 5000 K	_____	PAGE - 51
FYR2		RGB + W	_____	PAGE - 52
FY3		3000 LUMENS 5000 K	_____	PAGE - 54
FY1		1000 LUMENS 5000 K	_____	PAGE - 55


ANCHORLIGHT PAGE - 56

SPECIAL APPLICATION

	5000 LUMENS 5000 K	_____	PAGE - 59
---	------------------------------	-------	-----------

BOWLIGHT PAGE - 60

SPECIAL APPLICATION

	13.000 LUMENS 5000 K	_____	PAGE - 63
---	--------------------------------	-------	-----------

SEALED®

MY / SERIES



STEEL HULLS VERSION

THE GUARANTEE OF SAFETY, POWER AND EFFICIENCY

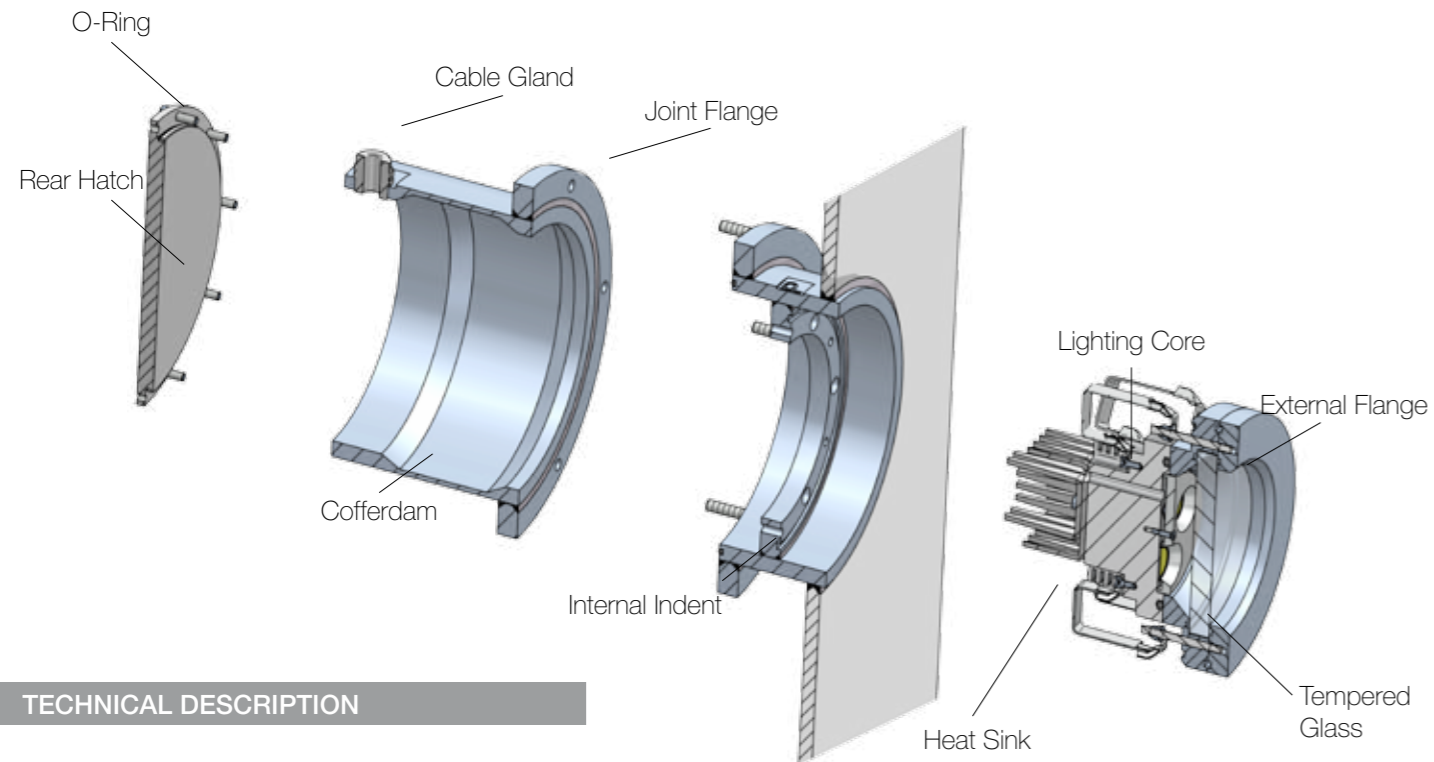


“ The SEALED® MY series introduces the widest and most innovative range of underwater lights for megayachts. All SEALED® lights are serviceable from inside the yacht for a quick and easy inspection of the light body.

SEALED® MY lights are more powerful to create a beautiful halo effect around the yacht. They are born to guarantee the maximum safety onboard: three barriers are interposed between the hull and the inside of the yacht to ensure a perfect watertight protection in respect of the marine certifications.

SEALED® MY are also available in RGB+W with Bus multimedia control to offer the most versatile and easy-to-use experience through a variety of standards and devices such as last generation of smartphones and tablets.”

EXPLODED VIEW DRAWING



TECHNICAL DESCRIPTION

The care for the details guarantees the extreme reliability and safety of the SEALED® MY. The exploded view drawing (fig.1) shows a dedicated design focused on the simplicity for an easy installation and inspection of the light. The Tempered Glass couples the cofferdam with the external flange.

This assembly is accurately designed to create the most resistant and safest barrier between the submerged hull and the inside whilst leaving a smooth and even flush-mount welding. The advantage of this system is that both the material and the tunneling effect of deep cofferdams are minimized, which positively affects drag, fuel economy and lamina flow performances.

The simple installation procedure makes it easy the inspection of the light too. The very innovative design of the half shell Cofferdam makes both operations quick and hassle free.

The External Flange and the glass form the first and most important safety level in compliance with the regulations of the naval certifications. The Lighting Core is screwed to the Glass to form the second protection barrier.

The Rear Hatch bolted to the Cofferdam grants the perfect watertight protection to the case i.e. the third and ultimate safety level. The quality of the materials used and the perfect design of the Heat Sink are the unique points of strength for the light efficiency.



Fig.1

FIXTURE COMPOSITIONING

SEALED® MY are designed and manufactured to perform at the highest levels. The materials used are of the best quality to work in the harshest environments. The light body (fig.1) is assembled and sealed in one piece in the factory to grant the highest watertight protection. It is composed by three elements: External Flange – Glass – Lighting Core.

The Tempered Glass is 15mm thick and highly resistant to the impacts.

The aluminum reflector, protected from the environment by a film of sprayed metallic paint, offers the widest beam angle for the maximum light efficiency.

The light body guarantees, through allen screws and O-Rings, the perfect mechanical holding. Everything has been tested in compliance with the highest standard and regulations.

The half shelf Cofferdam facilitates the operation for the removal of the Lighting Core.

Figure 2 shows how easy it is to remove the Lighting Core from inside the hull without hauling the yacht should servicing ever be required.

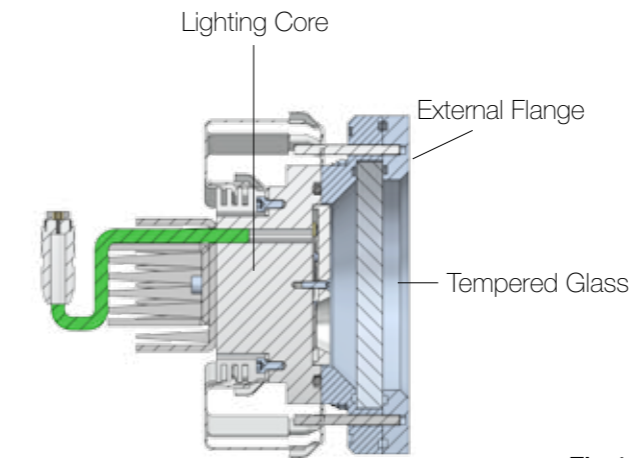


Fig.1

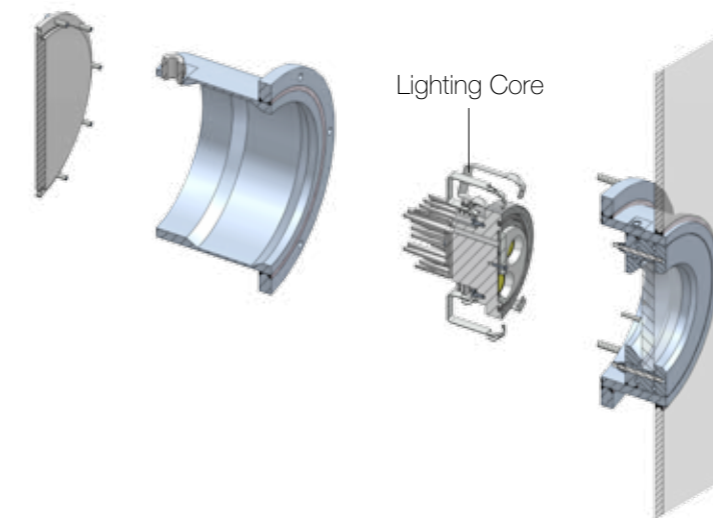


Fig.2

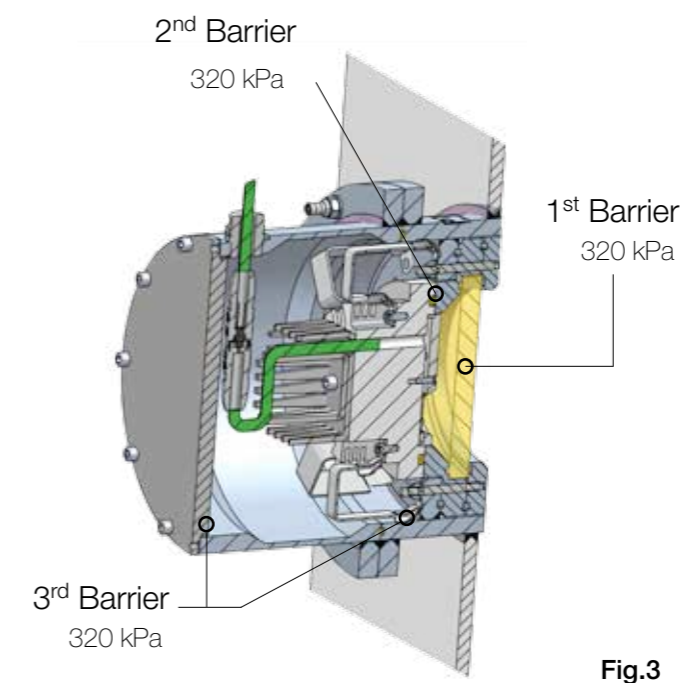


Fig.3

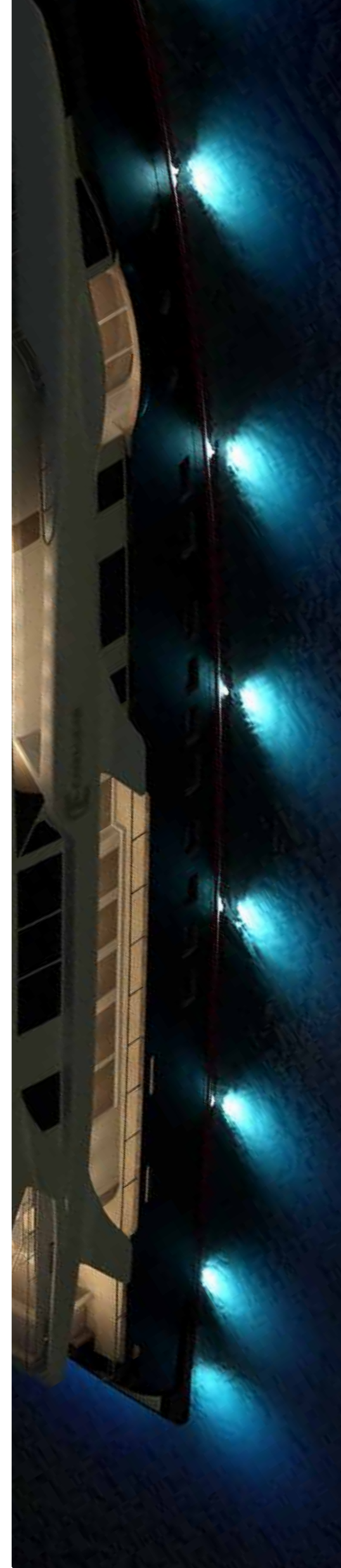
WATERTIGHT PROTECTION

The SEALED® MY are designed to offer three protection barriers (fig.3) against the external water pressure. Each barrier is tested through dedicated procedures in compliance with the naval certifications:

1st Barrier: External Flange – Tempered Glass – Counter Flange screwed to the cofferdam. This is the first and most important protection against the water pressure. The External Flange, the Tempered Glass and the Counter Flange hinged to the Cofferdam form a single body that guarantees the perfect watertight protection. In the lab a 320 kPa pressure is applied to this part to pass the tests.

2nd Barrier: Lighting Core. The Lighting Core is screwed to the first barrier through four allen screws. As for the first barrier a 320 kPa pressure is applied to this part to pass the tests.

3rd Barrier: Cofferdam. The Joint Flange and the Rear Hatch close the Cofferdam making the case completely watertight. This is the last and ultimate barrier against the accidental water ingress. It grants the maximum safety level to the SEALED® MY. The cable gland located on the Cofferdam is watertight and capable to resist to the highest pressures.



STANDARD INSTALLATION

The SEALED® MY are the most innovative underwater lights present on the market place. Thanks to the special design the Cofferdam can be flush mounted to the hull. (fig.1)

This way the Cofferdam is completely aligned to the surface of the hull to avoid the anesthetic and non-functional recesses that are present in all underwater lights models today.

Furthermore those recesses offer a high resistance to the lamina flow and cavitation decreasing the speed performances of the yacht.

The half shell design of the Cofferdam facilitates the welding and the installation: the Cofferdam can be easily handled by a single operator thus saving time and costs.

The stainless steel Cable Gland on the cofferdam is IP68 certified. It allows the power cable to go from the Lighting Core to the driver.

The light, the power cable and the driver are made with a EMC tested shield. IP68 Plug & Play connectors are used at both ends of the cable.

TANK INSTALLATION

The SEALED® MY is a very clever and flexible product that can be installed also in presence of water tanks (prior approval supplied by the naval certifications).

In presence of a tank along the yacht (fig.2) the SEALED® MY shows its greatest versatile attitude: the Cofferdam is watertight and is equipped with IP68 rated stainless steel cable gland.

The shield cofferdam prevents the water ingress in case of inspection of the light from outside of the hull. The conduit extension, tailored by the shipyard, brings the power cable from the light to the driver.

In this installation the length of the power cable must be ordered according to the needs.

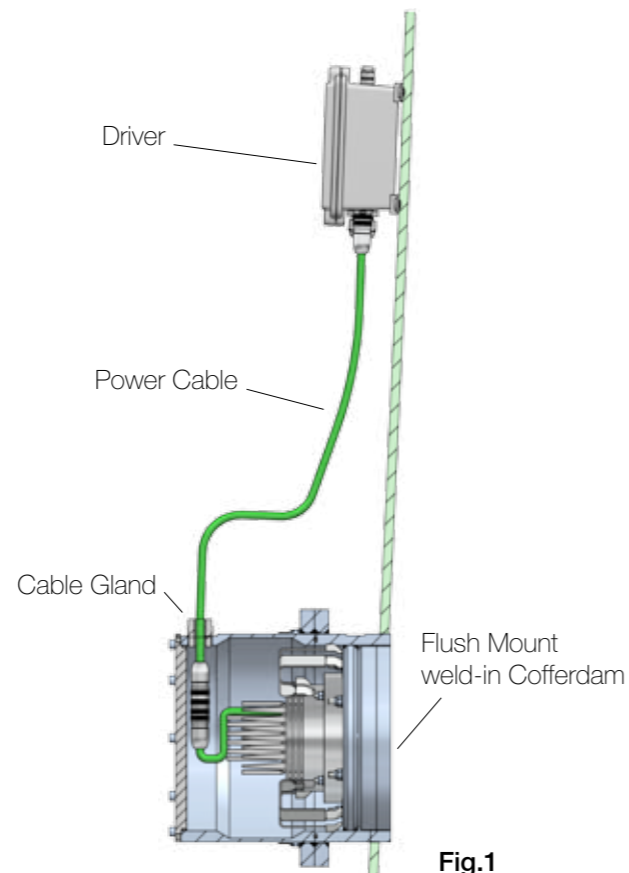


Fig.1

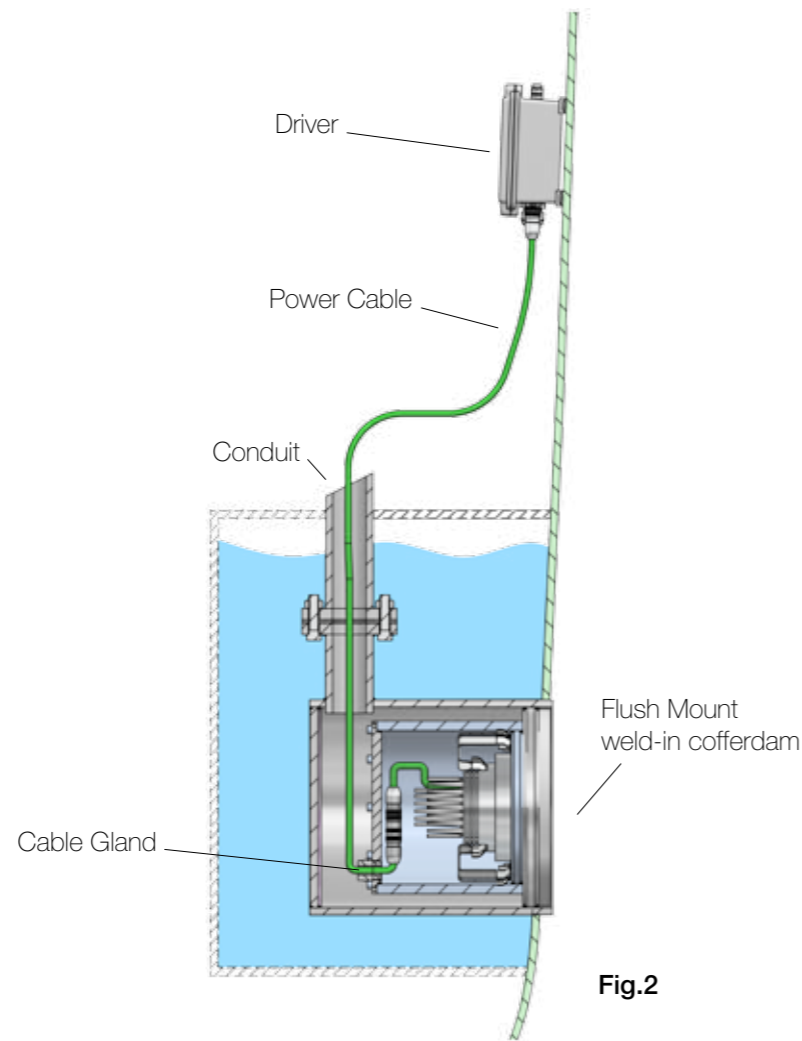


Fig.2



COFFERDAM

The Cofferdam (fig.1) is made of carbon Steel API5LX52 protected with anti-corrosion primer. Inside the Cofferdam there are indents to secure the mechanical tightness of the Light Body. The Cofferdam and the Light Body form a single piece compact and resistant thus safe.

All weldings into the Cofferdam are made by expert and qualified operators in compliance with the UNI EN ISO 3834:2006 standards. The weldings are certified and checked with the utmost accuracy. With every Cofferdam we give a quality assurance certification to guarantee them.

The Cofferdam is 12mm thick which is far above the standards and the requirements for installations on large superyachts. This tiny but important detail shows the care and the focus posed on the design since the initial phases of the project of the SEALED® MY.

Upon request we can supply a longer Cofferdam to be customized by the shipyard.

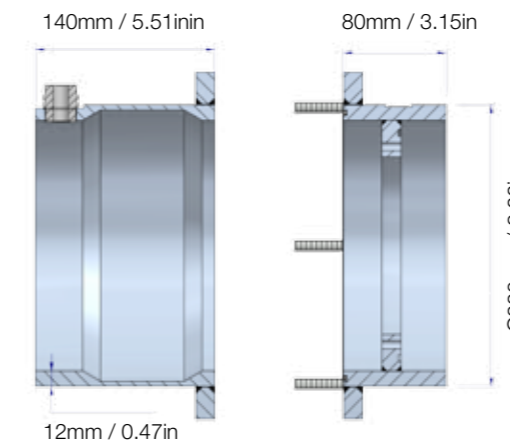


Fig.1

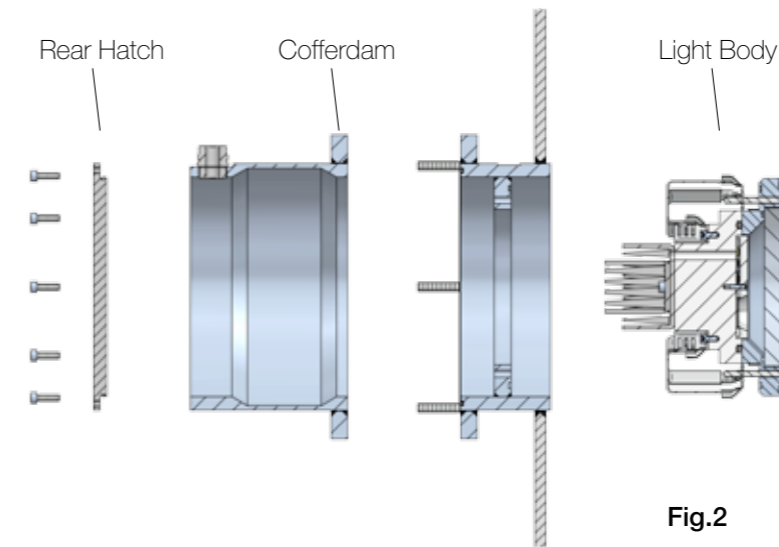


Fig.2

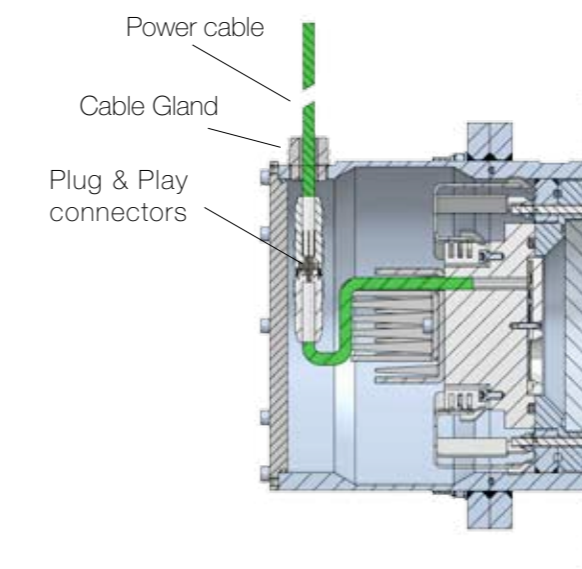


Fig.3

MOUNTING SYSTEM

The Light Body comes already pre-assembled and factory-sealed to guarantee the watertightness since the first installation.

The Light Body is coupled to the Cofferdam with four allen screws. (fig.2)

The SEALED® MY is now tightened to the Cofferdam structure becoming the second safety barrier.

The Power Cable is plugged into the Lighting Core through the Plug & Play Lumberg IP68 rated connector, passes through the Cable Gland connects to the DC voltage driver.

FINAL INSTALLATION STAGE

When the Light Body is fixed inside the half shelf Cofferdam, pass the Power Cable through the cable gland.(fig.3)

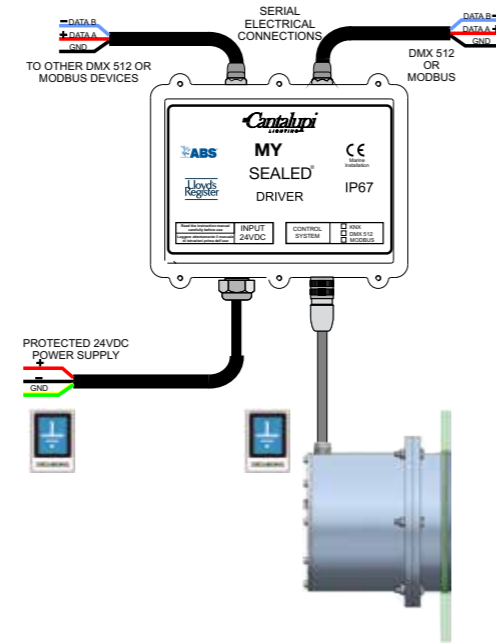
By bolting the Rear Hatch to the Cofferdam the case becomes 100% watertight: this is the last and ultimate safety barrier.

The highest quality of the materials used and the thermal control guarantee the best light performances and the longest lifespan to the LEDs.



DRIVER SPECIFICATION

Input Voltage	24 V DC
Min / max operating voltage	20 - 32 V DC
Width	200mm
Length	170mm
Height	80mm
Connector Type	IP68
DMX / ModBus Compatible	Yes
IP Rating of Unit	IP67
Over / Under voltage protection	Yes
Reverse polarity protection	Yes
Transient spike protection	Yes
EMC Compliant	Yes



EMC / RADIO MARINE TEST

Electromagnetic Compatibility:

1. Radiated Radio Frequency emission test
2. Immunity to conducted disturbance, inducted by radio frequency fields.



DOMOTIC SPECIFICATIONS

Domotic interface enhances the options of the lighting project and make life easier and more functional thanks to the use of most advanced technologies like ModBus or DMX 512.

The system can be applied in any living area onboard like the comfort, the safety, the energy saving, the multimedia and the control from remote.

The system is ready to integrate any application or device right from the beginning without limiting the future upgrades to new systems or communication standards.



MY18

ORDER CODE: 90SEALEMY18SS

LUMENS: 18.000 WATTS: 200 W

SEALED® MY18 includes the cofferdam with dimension of Ø 220 mm / 66.63 in, the IP67 rated driver at 24 V DC and 5 mt power cable with IP68 Lumberg Plug & Play connectors.

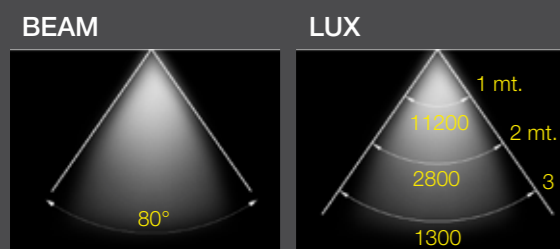
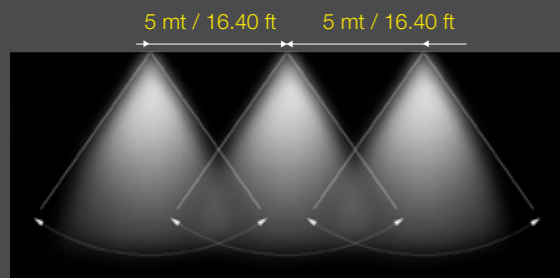
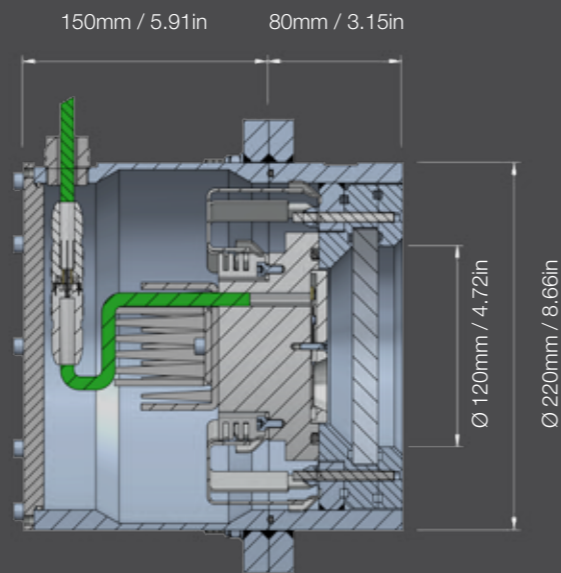
Technical Data:

- Power: 200 W
- Power Supply: 24 V DC
- Current / Amp draw: 8.5 A @ 24 V DC
- Efficiency: 90 Lm/W
- Color Temperature: 5000 K
- Optional Power Supply: 110 - 220 V AC



LIGHT POSITIONING

In order to create the best lighting effect around the yacht, we will provide advice about quantity, depth of fixture and spacing between each SEALED®. The effect in the water can vary from straight spears of light to a nice and relaxing halo around the hull simply positioning the lights at the desired distance one from the other. As a general rule we advise to place the lights at a maximum distance of 5mt one from the other.



MY13

ORDER CODE: 90SEALEMY13SS

LUMENS: 13.000 WATTS: 160 W

SEALED® MY13 includes the cofferdam with dimension of Ø 220 mm / 66.63 in, the IP67 rated driver at 24 V DC and 5 mt power cable with IP68 Lumberg Plug & Play connectors.

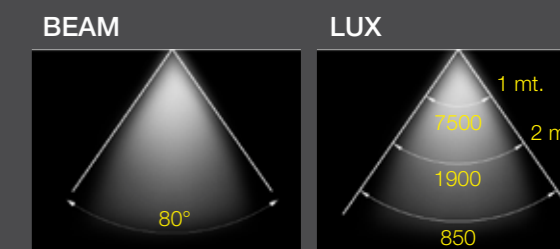
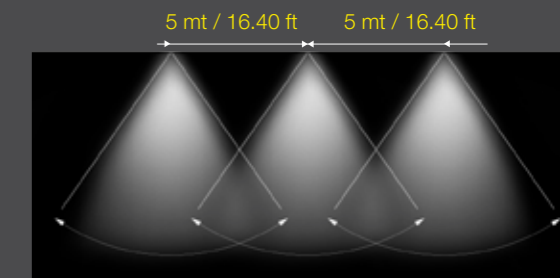
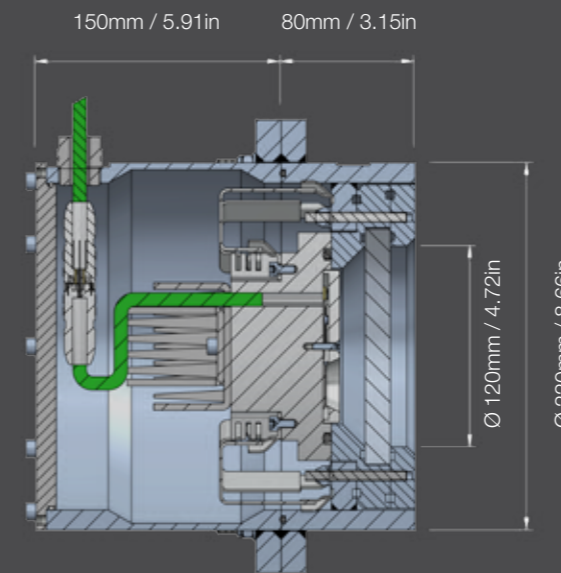
Technical Data:

- Power: 160 W
- Power Supply: 24 V DC
- Current / Amp draw: 6.5 A @ 24 V DC
- Efficiency: 81 Lm/W
- Color Temperature: 5000 K
- Optional Power Supply: 110 - 220 V AC



LIGHT POSITIONING

In order to create the best lighting effect around the yacht, we will provide advice about quantity, depth of fixture and spacing between each SEALED®. The effect in the water can vary from straight spears of light to a nice and relaxing halo around the hull simply positioning the lights at the desired distance one from the other. As a general rule we advise to place the lights at a maximum distance of 5mt one from the other.



MYR7

ORDER CODE: 90SEALEMYR7SS

WATTS: 150 W

The SEALED® MYR7 brings millions of colours into your life. Any colour can be selected to best suit your personal taste or to maximize the effect in the water in every condition. Colours can be controlled via any devices with a colour palette through a third party interface. The most advanced LEDs can combine up to 16 million shades of colours for a superior effect in the water.

SEALED® MYR7 includes the cofferdam with dimension of Ø 220 mm / 66.63 in, the IP67 rated driver at 24 V DC and 5 mt power cable with IP68 Lumberg Plug & Play connectors.

Technical Data:

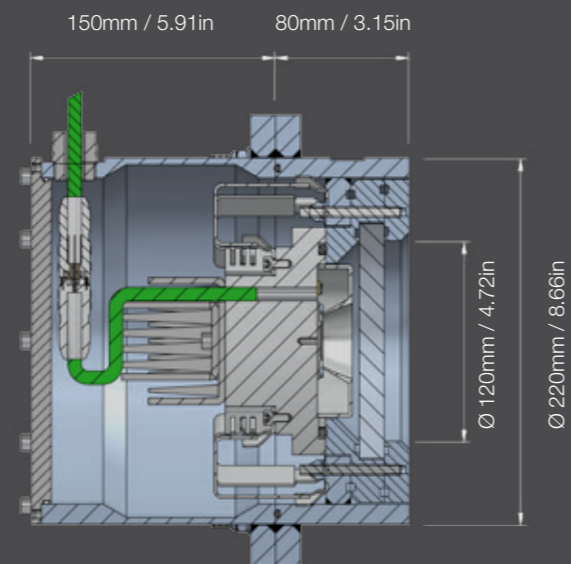
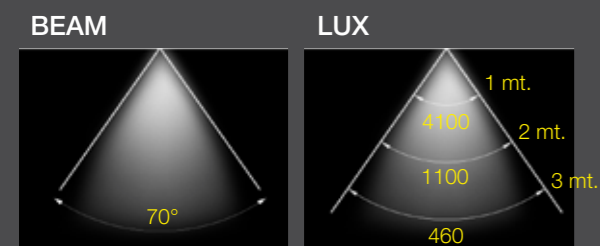
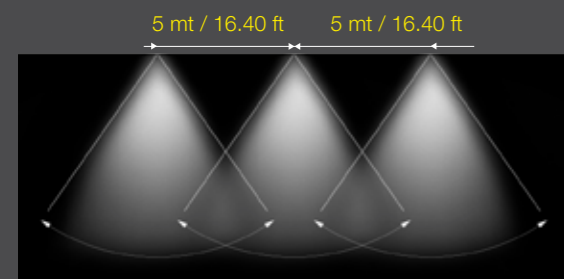
- Power: 150 W
- Power Supply: 24 V DC
- Current / Amp draw: 6,25 A @ 24 V DC
- Efficiency: 47 Lm/W
- Color Temperature: RGB+W
- Optional Power Supply: 110 - 220 V AC



LIGHT POSITIONING

In order to create the best lighting effect around the yacht, we will provide advice about quantity, depth of fixture and spacing between each SEALED®.

The effect in the water can vary from straight spears of light to a nice and relaxing halo around the hull simply positioning the lights at the desired distance one from the other. As a general rule we advise to place the lights at a maximum distance of 5mt one from the other.



SEALED®

MYA / SERIES



ADJUSTABLE

STEEL HULLS VERSION

**THE GUARANTEE OF
SAFETY, POWER AND
EFFICIENCY**



“The SEALED® MYA series introduces the widest and most innovative range of underwater lights for megayachts. All SEALED® lights are serviceable from the inside the yacht for a quick and easy inspection. SEALED® MYA lights are more powerful to create a beautiful halo effect around the yacht. Two barriers are interposed between the hull and the inside of the yacht to assure a perfect watertight protection in respect of the marine certifications.”

The MYA ‘ADJUSTABLE’ with its innovative Trim & Lock® system, offers the ideal solution for any angled hulls up to a range of 50° for a perfect flush-mount welding all around the yacht. The SEALED® MYA are also available in RGB+W with Bus multimedia control to offer the most versatile and easy-to-use experience.”

EXPLODED VIEW DRAWING

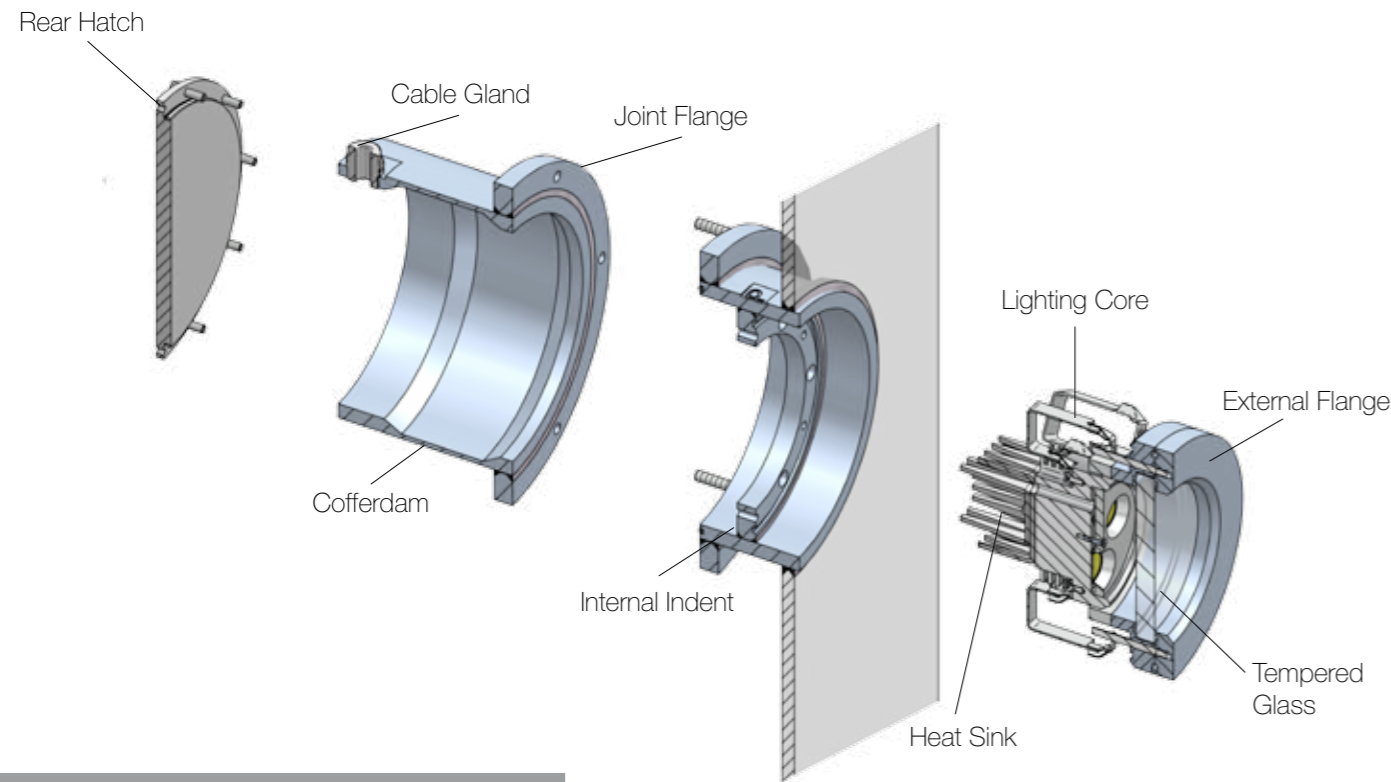


Fig.1

TECHNICAL DESCRIPTION

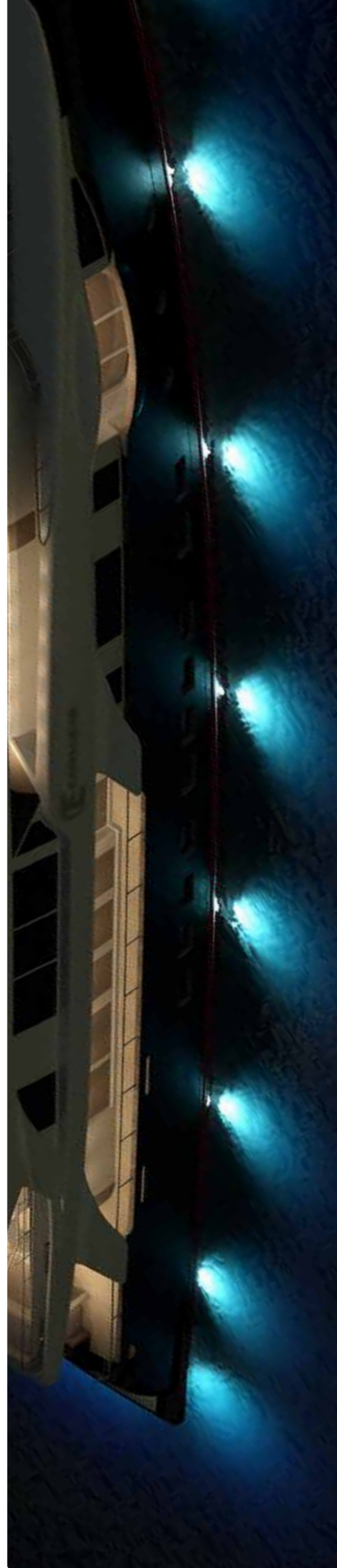
The care for the details guarantees the extreme reliability and safety of the SEALED® MYA. The exploded view drawing (fig.1) shows a dedicated design focused on the simplicity for an easy installation and inspection of the light. The Tempered Glass couples the Cofferdam with the External Flange.

This assembly is accurately designed to create the most resistant and safest barrier between the submerged hull and the inside whilst leaving a smooth and even flush-mount welding. The advantage of this system is that both the material and the tunneling effect of deep Cofferdams are minimized, which positively affects drag, fuel economy and lamina flow performances.

The simple installation procedure makes it easy the inspection of the light too. The very innovative design of the half shell Cofferdam makes both operations quick and hassle free.

The External Flange and the lens form the first and most important safety level in compliance with the regulations of the naval certifications. The Lighting Core is screwed to the lens to form the second protection barrier.

The Rear Hatch bolted to the Cofferdam grants the perfect watertight protection to the case i.e. the third and ultimate safety level. The quality of the materials used and the perfect design of the Heat Sink are the unique points of strength for the light efficiency.



FIXTURE COMPOSITIONING

The materials used are of the best quality to SEALED® MYA able to resist to the harshest environments. The Light Body (fig.1) is assembled and sealed in one piece from the factory. It is composed by three elements: External Flange – Tempered Glass – Lighting Core. The Tempered Glass is 15mm thick and highly resistant to the impacts.

The aluminum reflector, offers the widest beam angle for the maximum light efficiency. In the MYA model, through the innovative Trim & Lock® system, the Light Body can be angled within a range of 50° (+/- 25°) to compensate the most extreme angles of the hull and offer an even illumination around the yacht. This is the best and most innovative solution present in the market.

The SEALED® MYA allows to keep costs down, to maximize the power output of the LEDs and improve the hydrodynamic efficiency. Rotating the Light Body by 90° it is possible to angle the light horizontally and give to the designers the opportunity to create innovative and unique scenarios. The Trim & Lock® system widens the creativity offering alternative light effects in the water like the Fishbone or Diamond effect. The half shelf Cofferdam facilitates the operation for the removal of the Lighting Core.

Figure 2 shows how easy is to remove the Lighting Core from inside the hull without hauling the yacht should servicing ever be required.

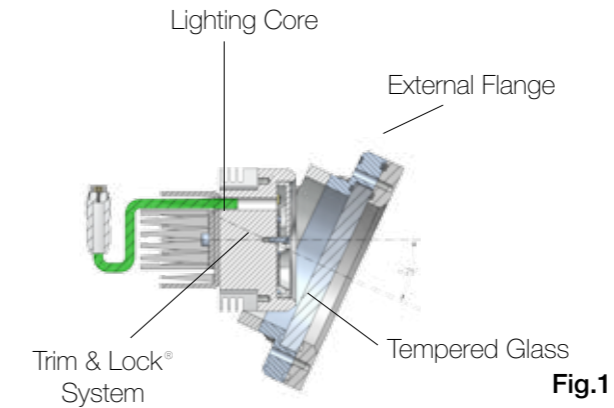


Fig.1

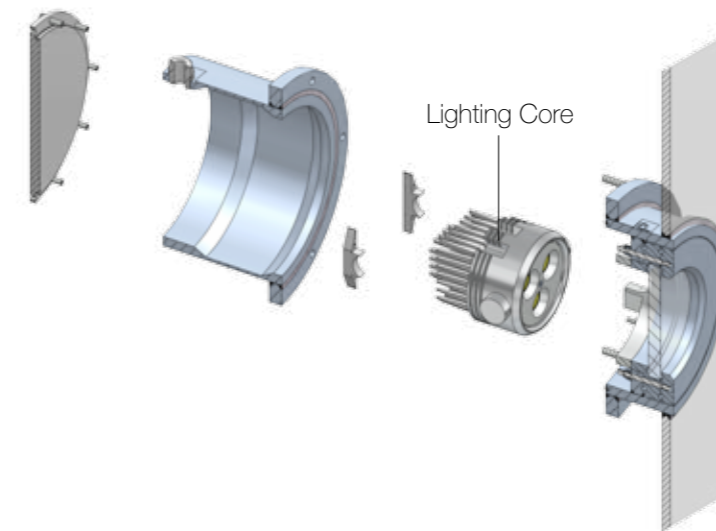


Fig.2

WATERTIGHT PROTECTION

The SEALED® MYA are designed to offer two protection barriers against the external water pressure. Each barrier is tested through dedicated procedures in compliance with the naval certifications:

1st Barrier: External Flange – Tempered Glass – Counter Flange screwed to the Cofferdam. This is the first and most important protection against the water pressure. The External Flange, the Tempered Glass and the Counter Flange hinged to the Cofferdam form a single body that guarantees the perfect watertight protection. In the lab a 320 kPa pressure is applied to this part to pass the test.

2nd Barrier: Cofferdam. The Joint Flange and the Rear Hatch close the Cofferdam making the case completely watertight. This is the last and ultimate barrier against the accidental water ingress. It grants the maximum safety level to the SEALED® MYA. The Cable Gland located on the Cofferdam is watertight and capable to resist to the highest pressures.

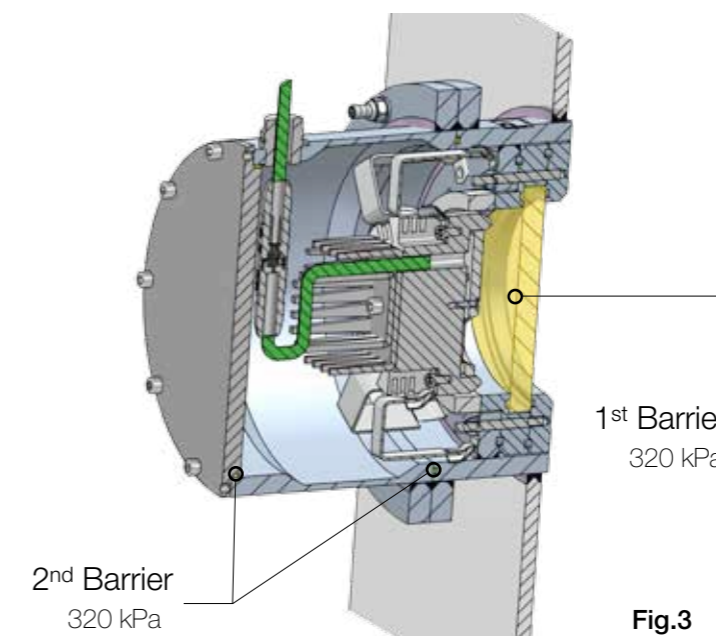


Fig.3

STANDARD INSTALLATION

The SEALED® MYA are the most innovative underwater lights present on the market place. Thanks to the special design the Cofferdam can be flush mounted to the hull. (fig.1)
This way the Cofferdam is completely aligned to the surface of the hull to avoid the anesthetic and non-functional recesses that are present in all underwater lights models today.

Furthermore those recesses offer a high resistance to the lamina flow and cavitation decreasing the speed performances of the yacht.

The half shelf design of the Cofferdam facilitates the welding and the installation: the Cofferdam can be easily handled by a single operator thus saving time and costs.

The stainless steel Cable Gland on the Cofferdam is IP68 certified. It allows the power cable to go from the Lighting Core to the driver.

The light, the power cable and the driver are made with a EMC tested shield. IP68 Plug & Play connectors are used at both ends of the cable.

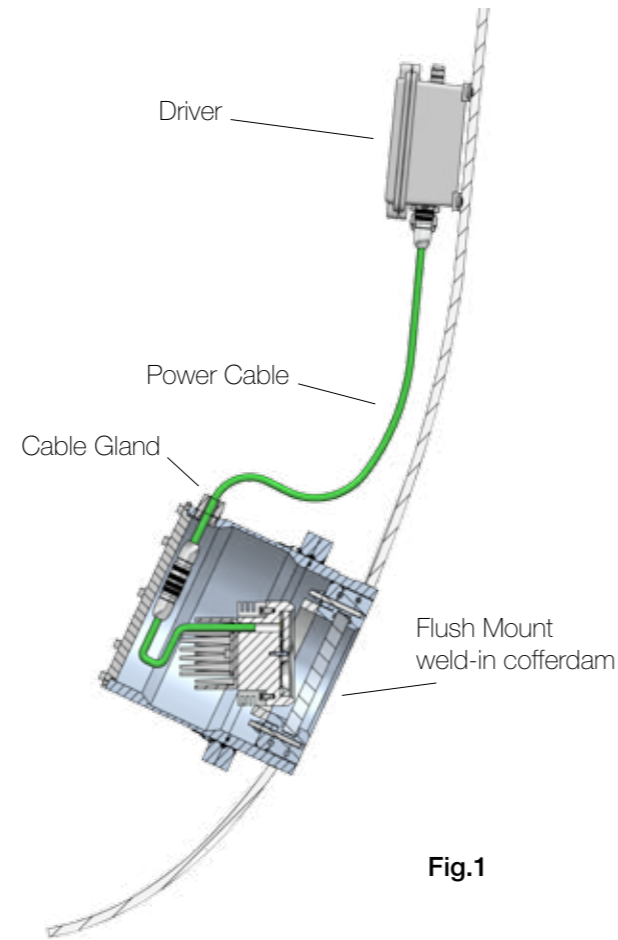


Fig.1

TANK INSTALLATION

The SEALED® MYA is a very clever and flexible product that can be installed also in presence of water tanks (prior approval supplied by the naval certifications).

In presence of a tank along the yacht (fig.2) the SEALED® MYA shows its greatest versatile attitude: the Cofferdam is watertight and is equipped with IP68 rated stainless steel cable gland.

The shield cofferdam prevents the water ingress in case of inspection of the light from outside of the hull. The conduit extension, tailored by the shipyard, brings the power cable from the light to the driver.

In this installation the length of the power cable must be ordered according to the needs.

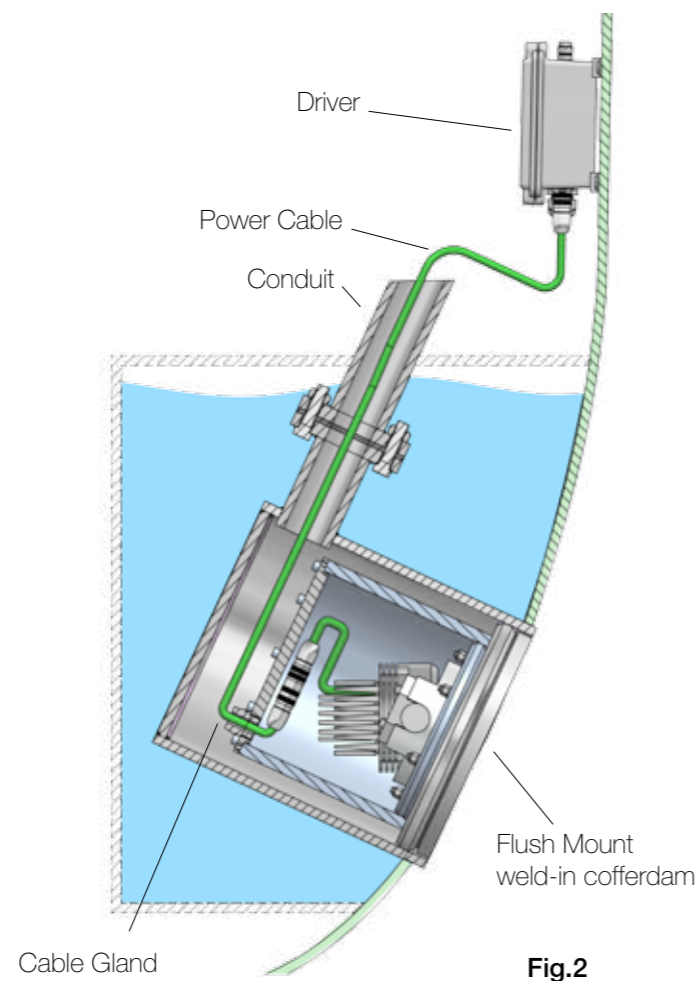


Fig.2



COFFERDAM

The Cofferdam (fig.1) is made of carbon Steel API5LX52 protected with anti-corrosion primer. Inside the Cofferdam there are indents to secure the mechanical tightness of the Light Body. The Cofferdam and the Light Body form a single piece compact and resistant thus safe.

All weldings into the Cofferdam are made by expert and qualified operators in compliance with the UNI EN ISO 3834:2006 standards. The weldings are certified and checked with the utmost accuracy. With every Cofferdam we give a quality assurance certification to guarantee them.

The Cofferdam is 12mm thick which is far above the standards and the requirements for installations on large superyachts. This tiny but important detail shows the care and the focus posed on the design since the initial phases of the project of the SEALED® MYA.

Upon request we can supply a longer cofferdam to be customized by the shipyard.

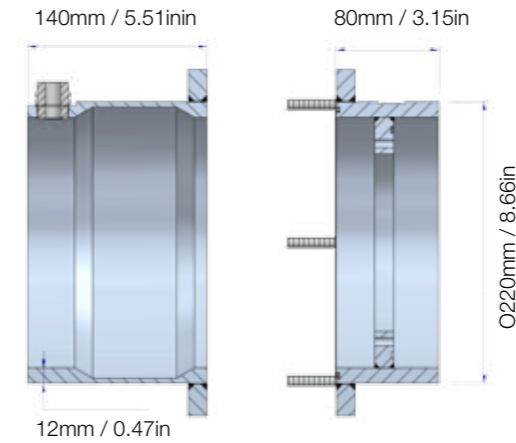


Fig.1

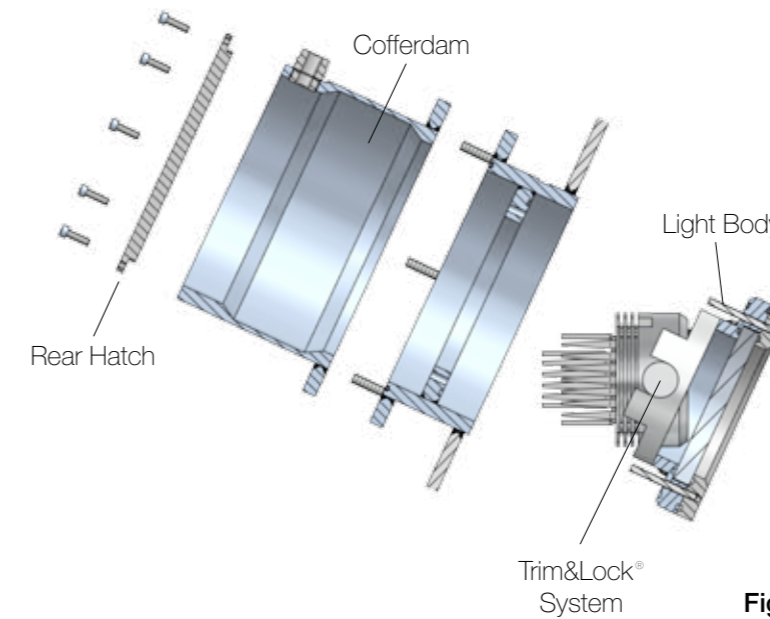


Fig.2

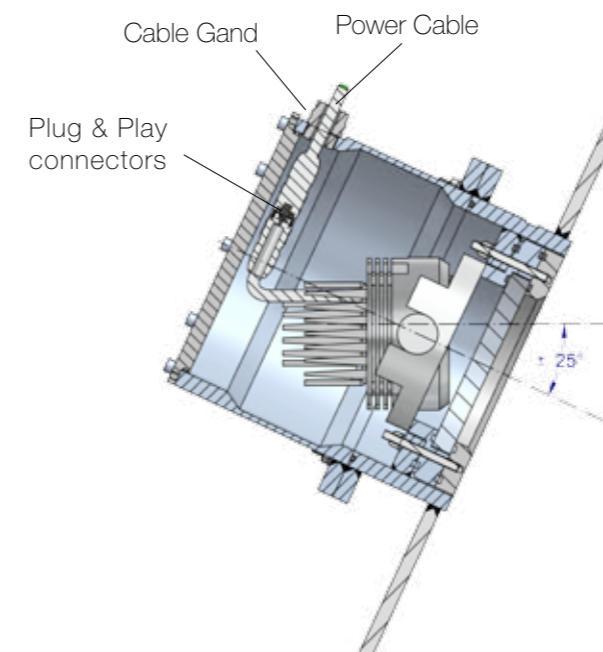


Fig.3

MOUNTING SYSTEM

The Light Body comes already pre-assembled and factory-sealed to guarantee the watertightness since the first installation. The Light Body is coupled to the Cofferdam with four allen screws. (fig.2)

To compensate the angles of the hull simply rotate the Lighting Core up or down using the Trim & Lock® system.

Maximum angle range is 50° (+ / - 25°). The Power Cable is plugged to the Lighting Core through the Plug & Play Lumberg IP68 rated connector, passes through the Cable Gland to be connected to the DC voltage driver.

FINAL INSTALLATION STAGE

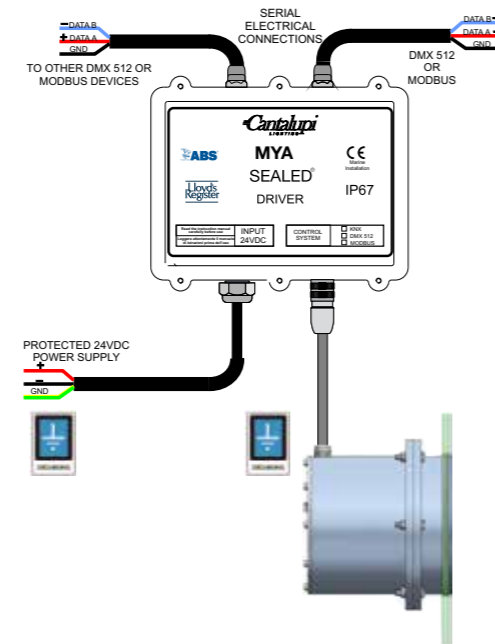
When the Light Body is fixed inside the half shelf Cofferdam, pass the cable through the cable gland. (fig.3)

By bolting the rear hatch to the cofferdam the case becomes 100% watertight: this is the last and ultimate safety barrier.

The highest quality of the materials used and the thermal control guarantee the best light performances and the longest lifespan to the LEDs.

DRIVER SPECIFICATIONS

Input Voltage	24 V DC
Min / max operating voltage	20 - 32 V DC
Width	200mm
Length	170mm
Height	80mm
Connector Type	IP68
DMX / ModBus Compatible	Yes
IP Rating of Unit	IP67
Over / Under voltage protection	Yes
Reverse polarity protection	Yes
Transient spike protection	Yes
EMC Compliant	Yes



EMC / RADIO MARINE TEST

Electromagnetic Compatibility:

1. Radiated Radio Frequency emission test
2. Immunity to conducted disturbance, inducted by radio frequency fields.



DOMOTIC SPECIFICATIONS

Domotic interface enhances the options of the lighting project and make life easier and more functional thanks to the use of most advanced technologies like ModBus or DMX 512.

The system can be applied in any living area onboard like the comfort, the safety, the energy saving, the multimedia and the control from remote.

The system is ready to integrate any application or device right from the beginning without limiting the future upgrades to new systems or communication standards.



MYA13

ORDER CODE: 90SEALEMYA13SS

LUMENS: 13.000 WATTS: 160 W

SEALED® MYA13 includes the cofferdam with dimension of Ø 220 mm / 66.63 in, the IP67 rated driver at 24 V DC and 5 mt power cable with IP68 Lumberg Plug & Play connectors

Technical Data:

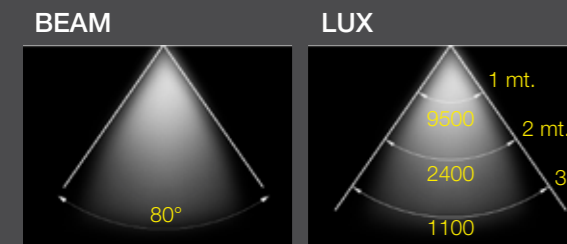
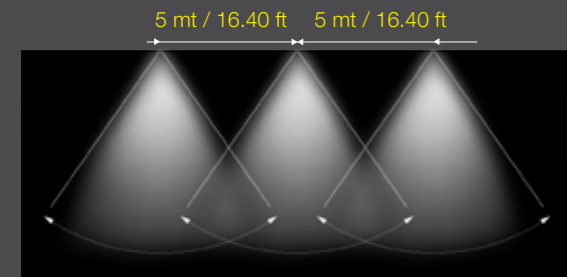
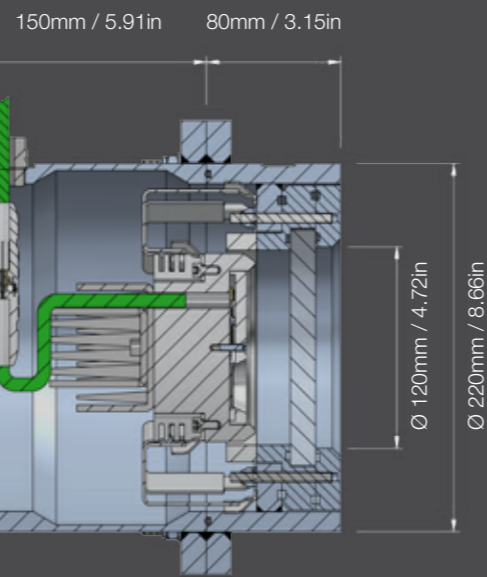
- Power: 160 W
- Power Supply: 24 V DC
- Current / Amp draw: 7 A @ 24 V DC
- Efficiency: 81 Lm/W
- Color Temperature: 5000 K
- Optional Power Supply: 110 - 220 V AC



LIGHT POSITIONING

In order to create the best lighting effect around the yacht, we will provide advice about quantity, depth of fixture and spacing between each SEALED®.

The effect in the water can vary from straight spears of light to a nice and relaxing halo around the hull simply positioning the lights at the desired distance one from the other. As a general rule we advise to place the lights at a maximum distance of 5mt one from the other.



MYAR7

ORDER CODE: 90SEALEMYAR7SS

WATTS: 150 W

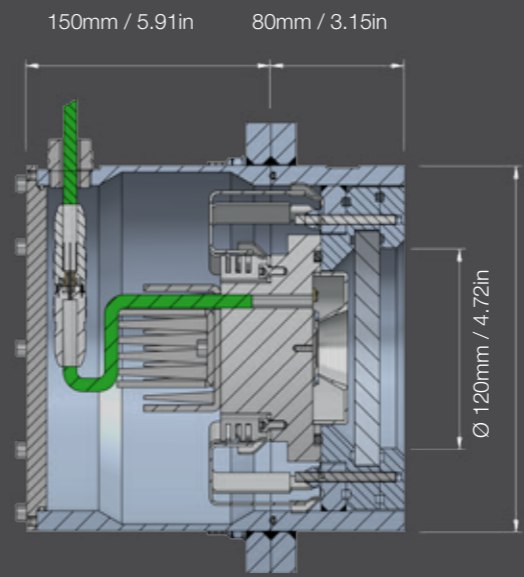
The SEALED® MYAR7 brings millions of colours into your life. Any colour can be selected to best suit your personal taste or to maximize the effect in the water in every condition. Colours can be controlled via any devices with a colour palette through a third party interface.

The most advanced LEDs can combine up to 16 million shades of colours for a superior effect in the water.

SEALED® MYAR7 includes the cofferdam with dimension of Ø 220 mm / 66.63 in, the IP67 rated driver at 24 V DC and 5 mt power cable with IP68 Lumberg Plug & Play connectors.

Technical Data:

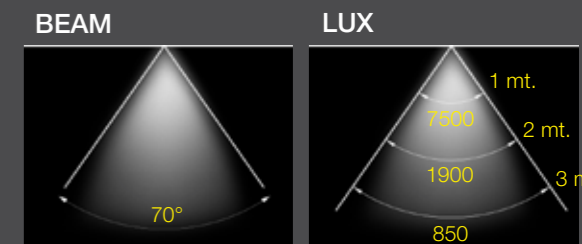
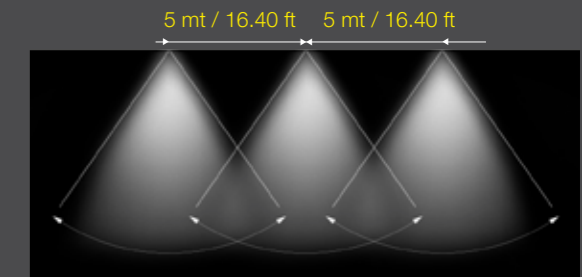
- Power: 150 W
- Power Supply: 24 V DC
- Current / Amp draw: 6,25 A @ 24 V DC
- Efficiency: 47 Lm/W
- Color Temperature: RGB+W
- Optional Power Supply: 110 - 220 V AC



LIGHT POSITIONING

In order to create the best lighting effect around the yacht, we will provide advice about quantity, depth of fixture and spacing between each SEALED®.

The effect in the water can vary from straight spears of light to a nice and relaxing halo around the hull simply positioning the lights at the desired distance one from the other. As a general rule we advise to place the lights at a maximum distance of 5mt one from the other.



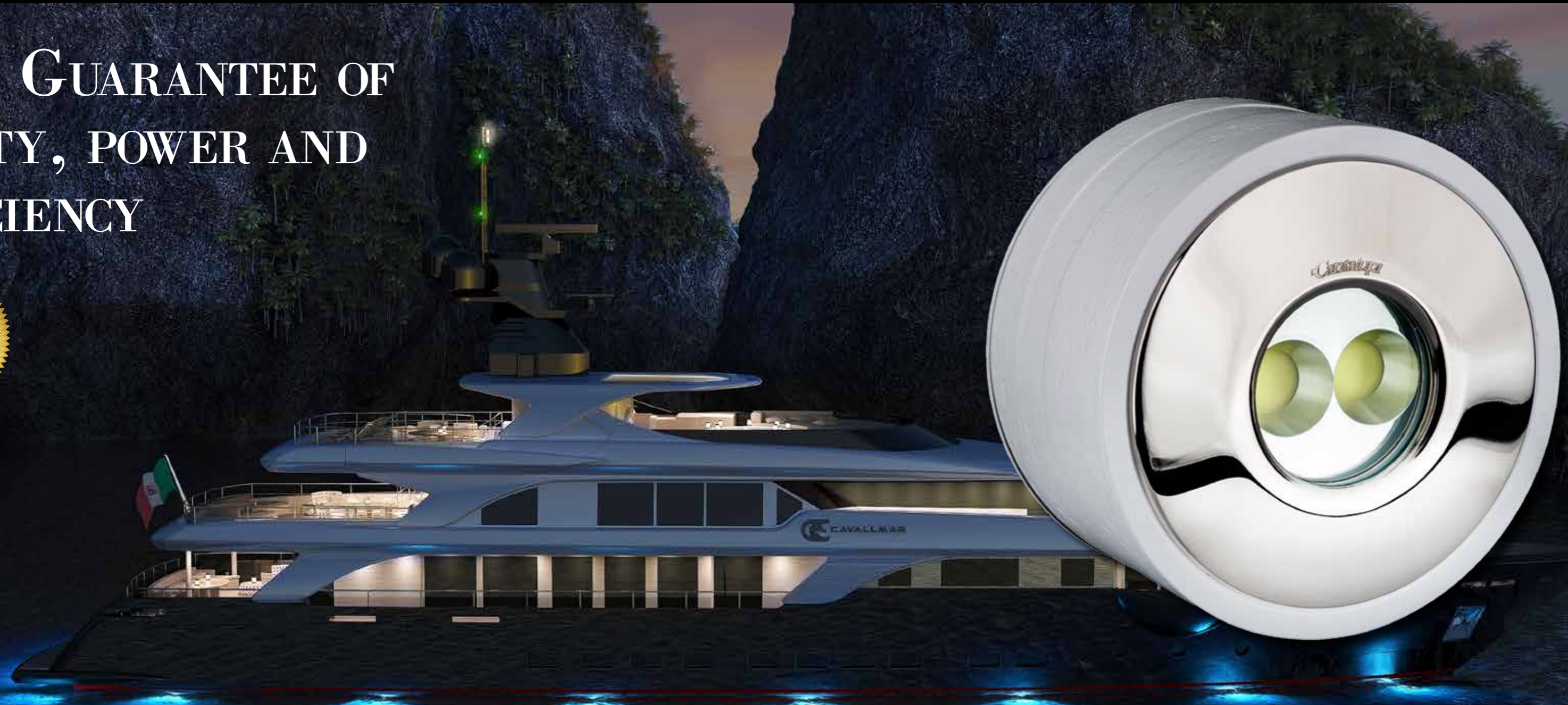
SEALED®

SY / SERIES



STEEL & ALUMINUM HULLS VERSIONS

THE GUARANTEE OF
SAFETY, POWER AND
EFFICIENCY

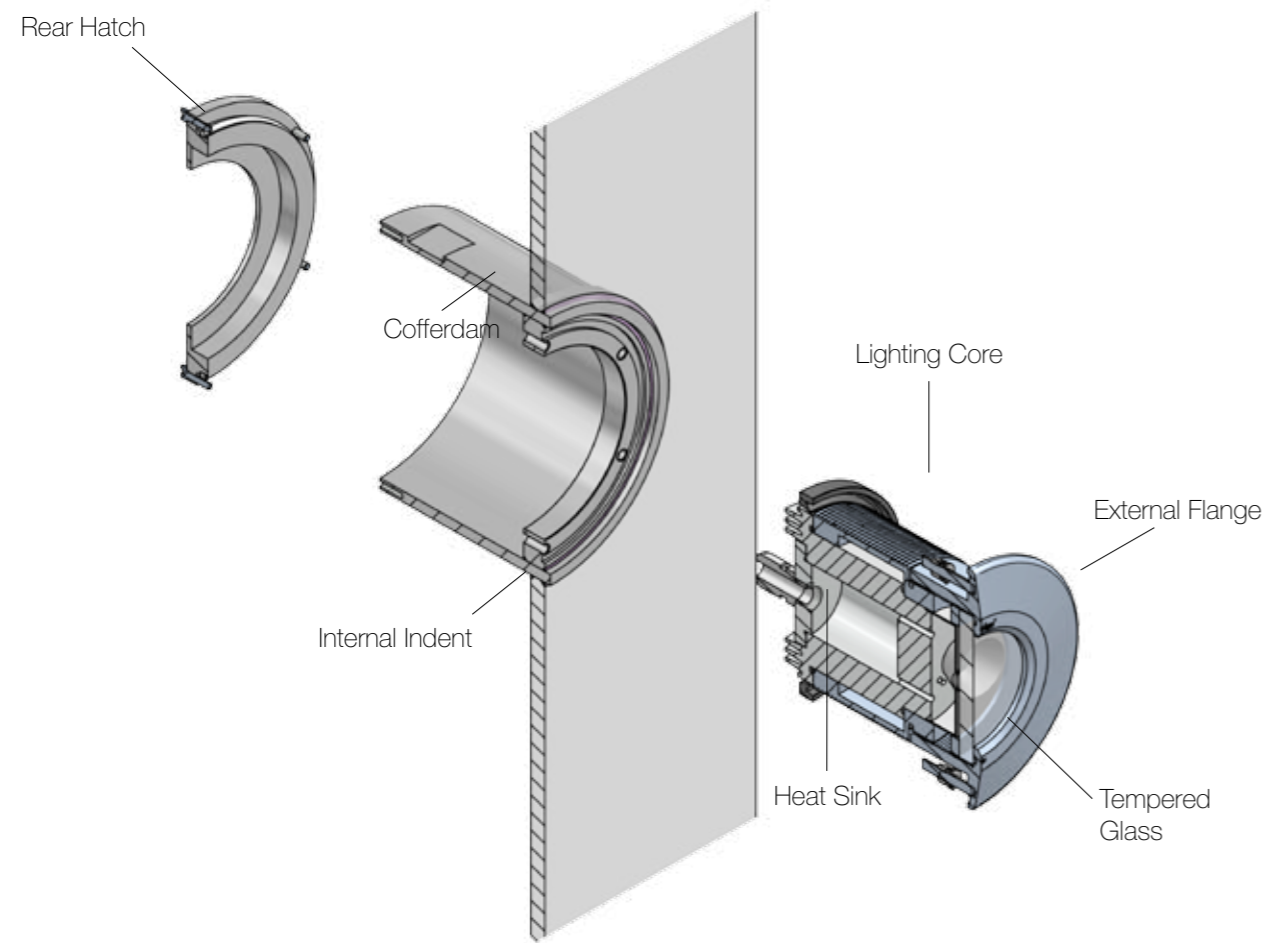


“The SEALED® SY series is part of the widest and most innovative range of underwater lights for superyachts. All SEALED® lights are serviceable from inside the yacht for a quick and easy inspection of the light body.”

SEALED® SY lights are very powerful to create a beautiful halo effect around the yacht. They are born to guarantee the maximum safety onboard: three barriers are interposed between the hull and the inside of the yacht to assure a perfect watertight protection in respect of the marine certifications.

SEALED® SY are also available in RGB+W with Bus multimedia control to offer the most versatile and easy-to-use experience through a variety of standards and devices of the latest generation smartphones and tablets.”

EXPLODED VIEW DRAWING



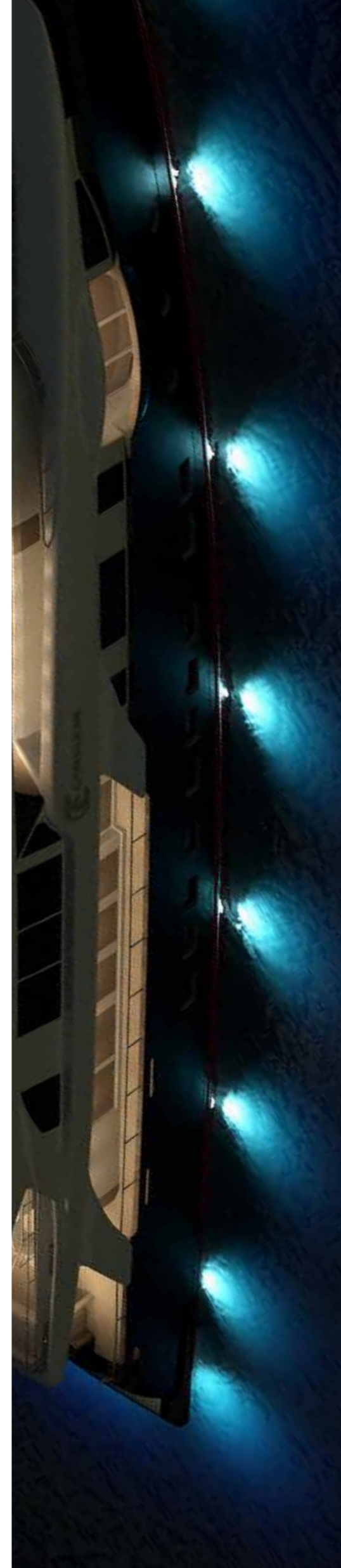
TECHNICAL DESCRIPTION

The care for the details guarantees the extreme reliability and safety of the SEALED® SY.

The exploded view drawing (fig.1) shows a dedicated design focused on the simplicity for an easy installation and inspection of the light.

The tempered glass couples the Cofferdam with the External Flange.

The Rear Hatch bolted to the Cofferdam grants the watertight protection to the case. The quality of the materials used and the perfect design of the Heat Sink are unique points of strength for the light efficiency.



FIXTURE COMPOSITIONING

SEALED® SY are designed and manufactured to perform at the highest levels. The materials used are of the best quality to work in the harshest environments. The Light Body (fig.1) is assembled and sealed in one piece in the factory to grant the highest watertight protection. The glass is made of Tempered Glass 10mm thick highly resistant to the impacts.

The aluminum reflector, protected from the environment by a film of sprayed metallic paint, offers the widest beam angle for the maximum light efficiency. The light body guarantees, through allen screws and O-Rings, the perfect mechanical holding. Everything has been tested in compliance with the highest standard and regulations.

Figure 2 shows how easy is to remove the Lighting Core from inside the hull without hauling the yacht should servicing ever be required.

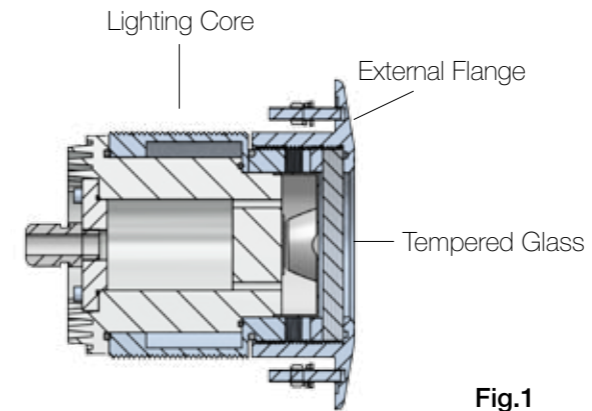


Fig.1

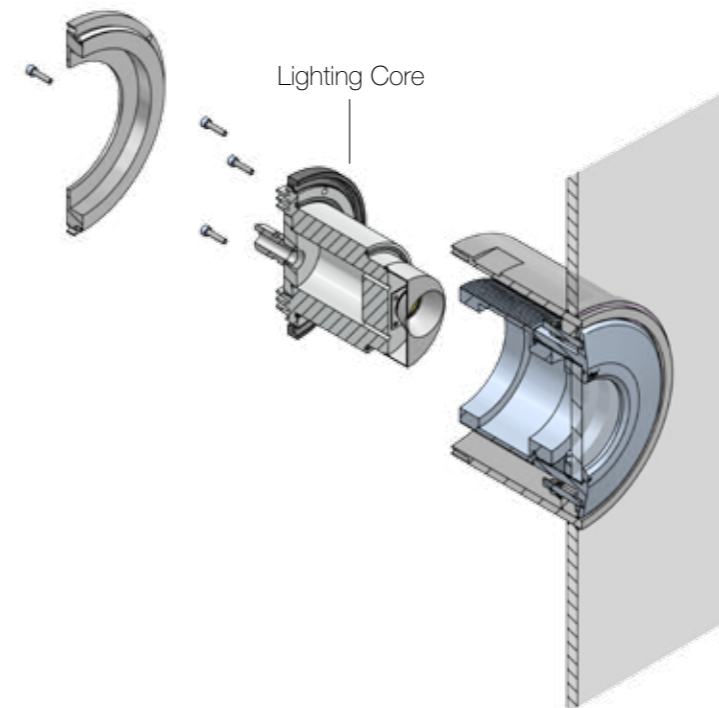


Fig.2

WATERTIGHT PROTECTION

The SEALED® SY are designed to offer three protection barriers (fig.3) against the external water pressure. Each barrier is tested through dedicated procedures in compliance with the naval certifications (prior approval supplied by the naval certifications):

1st Barrier: External Flange – Tempered Glass – Counter Flange screwed to the cofferdam.

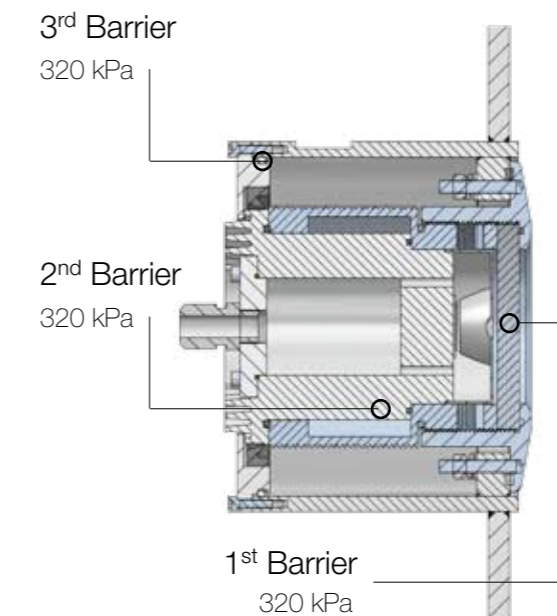
This is first and most important protection against the water pressure. The External Flange, the Tempered Glass and the Counter Flange hinged to the cofferdam form a single body that guarantees the perfect watertight protection. In the lab a 320 kPa pressure is applied to this part to pass the tests.

2nd Barrier: Lighting Core.

The Lighting Core is potted inside the fixture to protect the light from water ingress.

3rd Barrier: Rear Hatch.

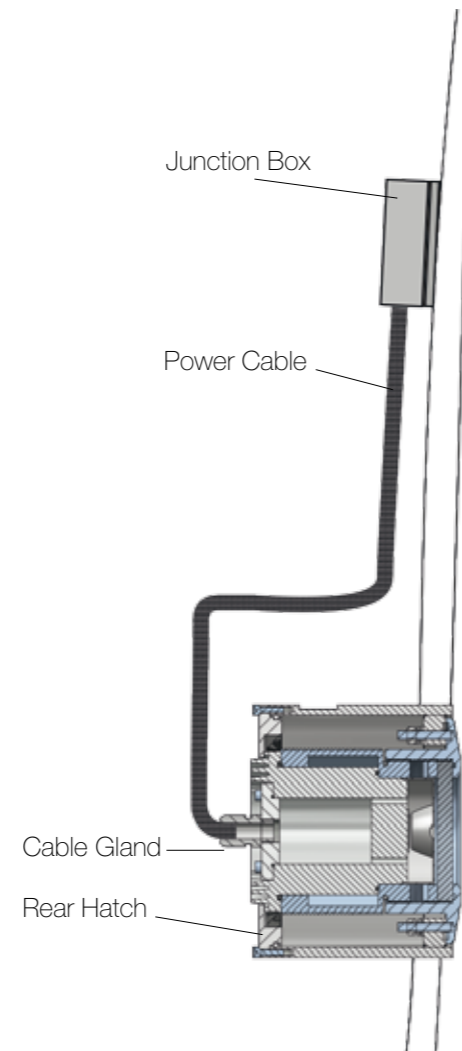
The rear hatch bolted to the cofferdam makes the case completely watertight. This is the last and ultimate barrier against the accidental water ingress. It grants the maximum safety level to the yacht.



STANDARD INSTALLATION

The SEALED® SY are the most innovative underwater lights present in the market place. The standard installation considers the secure fixing of the light body to the Cofferdam, the closure of the case through the rear hatch completes the installation to assure a perfect watertight protection in respect of the marine certifications.

With the built-in driver the power cable goes through an IP68 Cable Gland and connects directly to the 24V DC line guaranteeing the safest installation onboard.



TANK INSTALLATION

Shown in Fig. 1, the SY TANK is the next step in the underwater light technology. SY TANK is unique in its field and recognized as an innovative advancement in installations where the access from the inside of the yacht is difficult if not impossible. Should the light ever fail or be damaged, it can be removed from the outside of the hull, lifted above the waterline, replaced and re-installed without hauling the boat. Two dead holes on the front flange will help the extracting tool (included in the supply) to remove the light from its seat.

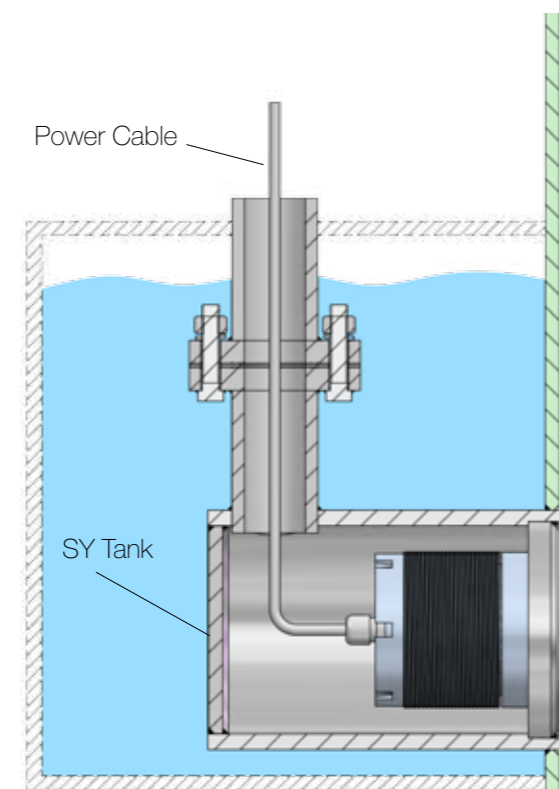


Fig.1



COFFERDAM

The Cofferdam (fig.2) is made either in carbon Steel API5LX52 or aluminum 6060 and protected with anti-corrosion primer. The Cofferdam and the Light Body form a single piece, compact and resistant thus safe. All weldings to the Cofferdam are made by expert and qualified operators in compliance with the uni En iso 3834:2006 standards. The weldings are certified and tested with the utmost accuracy. All cofferdams are able to counter any angle of the hull: the standard cofferdam compensates up to 35° angle. Upon request we can supply a longer cofferdam.

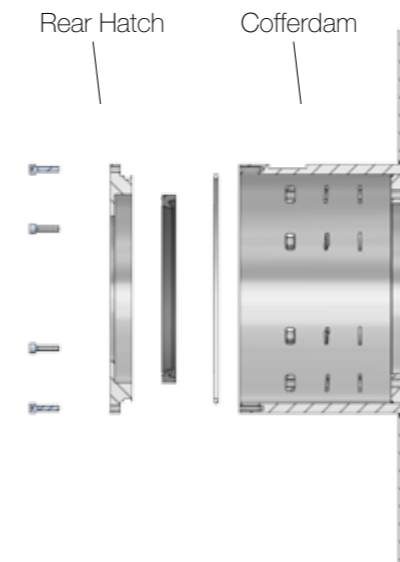


Fig.2

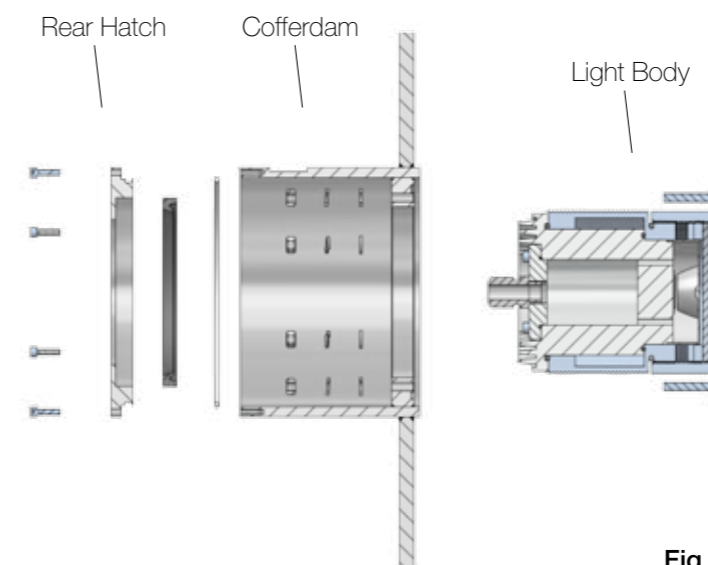


Fig.3

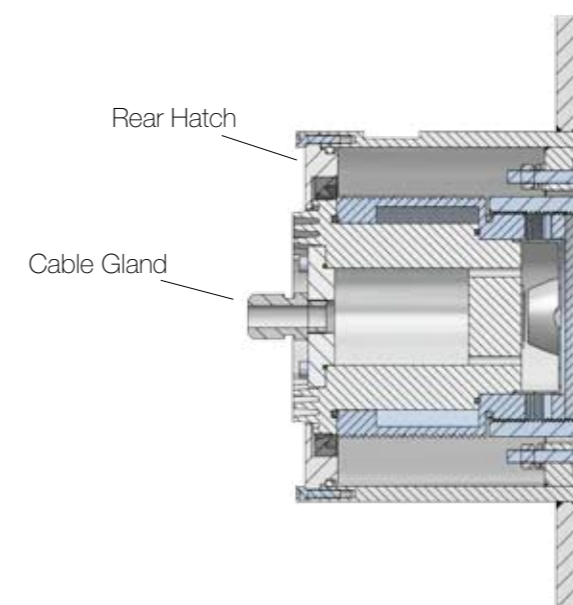


Fig.4

MOUNTING SYSTEM

The Light Body comes already pre-assembled and factory-sealed to guarantee the watertightness since the first installation. The Light Body is coupled to the Cofferdam with six allen screws (fig.3) and secured to the Rear Hatch with a lip gasket and an O-Ring for the maximum protection against the water ingress.

The Light Body is now tightened to the cofferdam structure becoming the second safety barrier.

FINAL INSTALLATION STAGE

When the Light Body is fixed inside the Cofferdam the Rear Hatch has to be settled. (fig.4)

By bolting the Rear Hatch to the Cofferdam the case becomes 100% watertight: this is the last and ultimate safety barrier.

The highest quality of the materials used and the thermal control guarantee the best light performances and the longest lifespan to the LEDs.

BUILT-IN DRIVER

In the SEALED® SY the driver is integrated in the Lighting Core offering the maximum protection against electrical spikes, interferences and overheating.

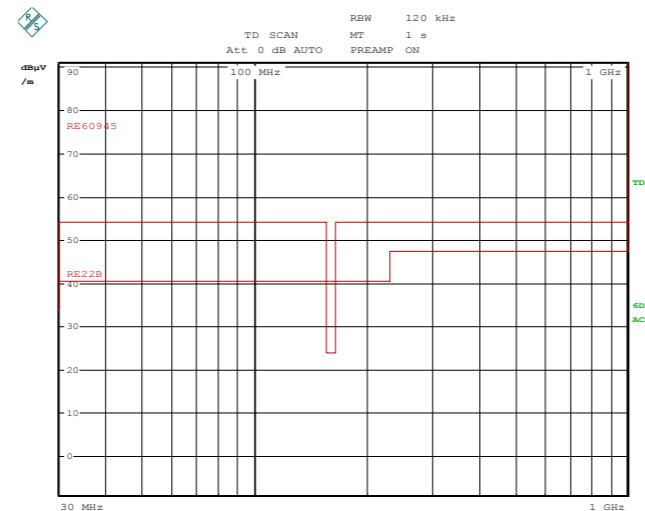
Thanks to the built-in driver the light operates at 24V DC and can be connected to the DC line for the safest installation onboard.



EMC / RADIO MARINE TEST

Electromagnetic Compatibility:

1. Radiated Radio Frequency emission test
2. Immunity to conducted disturbance, inducted by radio frequency fields.



SY9

S.STEEL CODE: 90SEALESY9SSACC

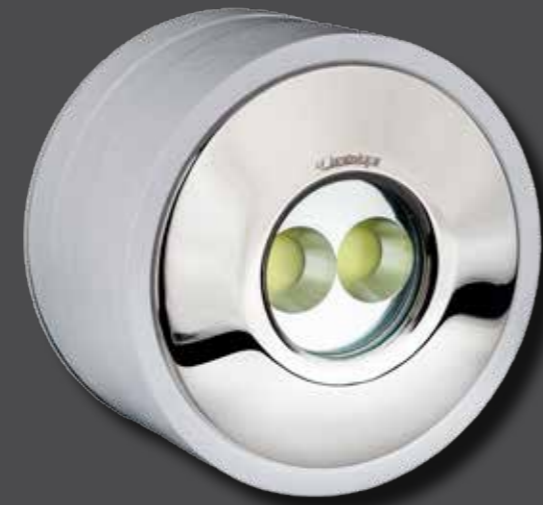
ALUMINUM CODE: 90SEALESY9AAN

LUMENS: 9.000 **WATTS: 80 W**

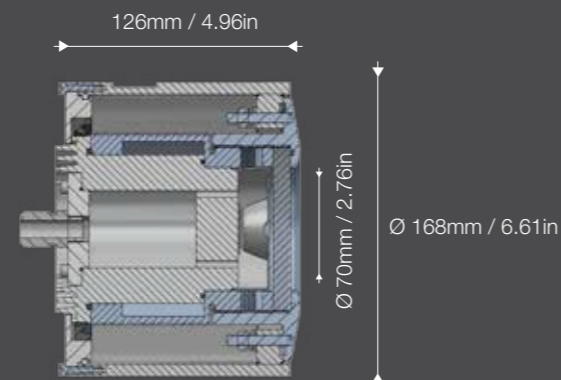
SEALED® SY9 includes the cofferdam and the built-in driver working at 24 V DC.

Technical Data:

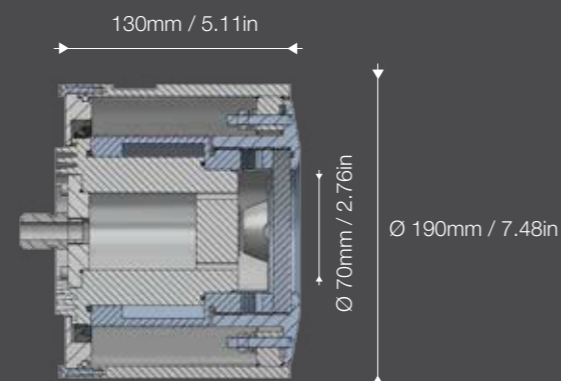
- Power: 80 W
- Power Supply: 24 V DC
- Current / Amp draw: 3,5 A @ 24 V DC
- Efficiency: 97 Lm/W
- Color Temperature: 5000 K
- Optional Power Supply: 110 - 220 V AC
- Also available in Blue colour



STAINLESS STEEL VERSION.



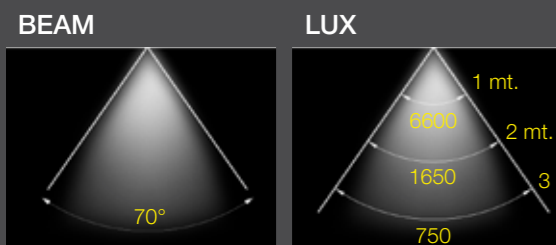
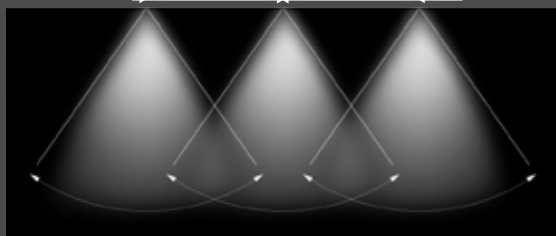
ALUMINUM VERSION.



LIGHT POSITIONING

In order to create the best lighting effect around the yacht, we will provide advice about quantity, depth of fixture and spacing between each SEALED®. The effect in the water can vary from straight spears of light to a nice and relaxing halo around the hull simply positioning the lights at the desired distance one from the other. As a general rule we advise to place the lights at a maximum distance of 4mt one from the other.

4 mt / 13.12 ft 4 mt / 13.12 ft



SY5

S.STEEL CODE: 90SEALESY5SSACC

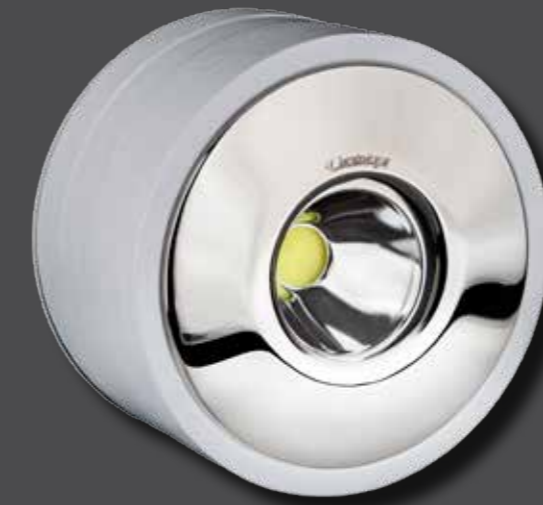
ALUMINUM CODE: 90SEALESY5AAN

LUMENS: 5.000 **WATTS: 40 W**

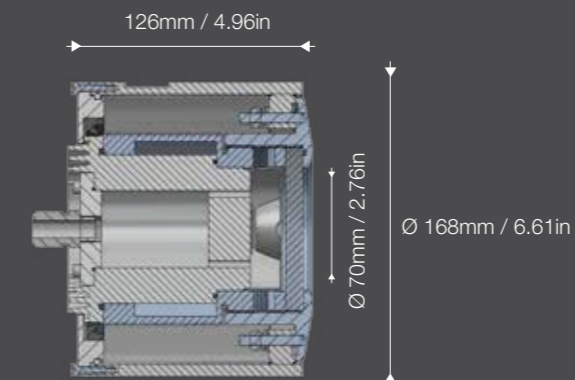
SEALED® SY5 includes the cofferdam and the built-in driver working at 24 V DC.

Technical Data:

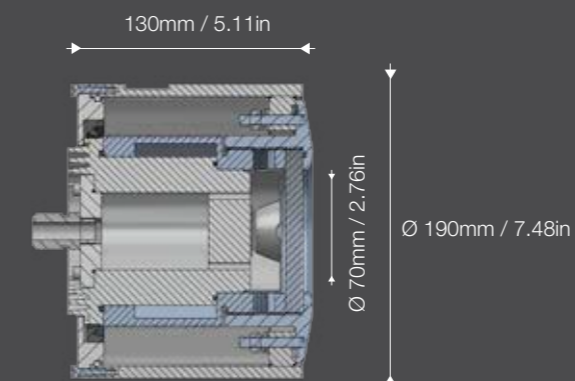
- Power: 40 W
- Power Supply: 24 V DC
- Current / Amp draw: 1,7 A @ 24 V DC
- Efficiency: 106 Lm/W
- Color Temperature: 5000 K
- Optional Power Supply: 110 - 220 V AC
- Also available in Blue colour



STAINLESS STEEL VERSION.



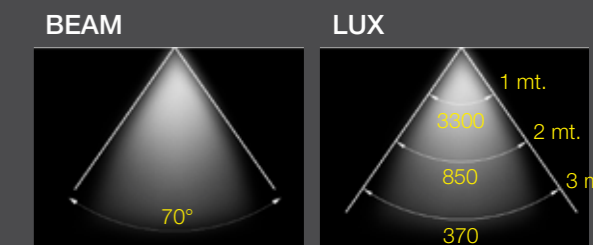
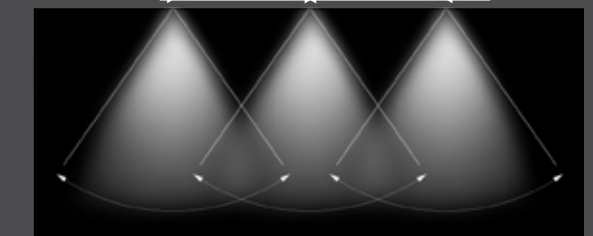
ALUMINUM VERSION.



LIGHT POSITIONING

In order to create the best lighting effect around the yacht, we will provide advice about quantity, depth of fixture and spacing between each SEALED®. The effect in the water can vary from straight spears of light to a nice and relaxing halo around the hull simply positioning the lights at the desired distance one from the other. As a general rule we advise to place the lights at a maximum distance of 4mt one from the other.

4 mt / 13.12 ft 4 mt / 13.12 ft



SYR2

S.STEEL CODE: 90SEALESYR2SSACC

ALUMINUM CODE: 90SEALESYR2AAN

WATTS: 130 W

The SEALED® SYR2 brings millions of colours into your life. Any colour can be selected to best suit your personal taste or to maximize the effect in the water in every condition. Colours can be controlled via any devices with a colour palette through a third party interface. The most advanced LEDs can combine up to 16 million shades of colours for a superior effect in the water.

SEALED® SYR2 includes the cofferdam, the IP67 rated driver at 24VDC and 2 mt power cable with IP68 Souriau Plug & Play connectors.

Technical Data:

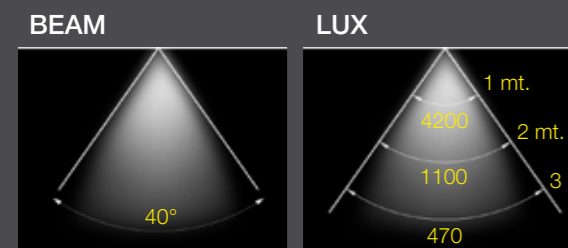
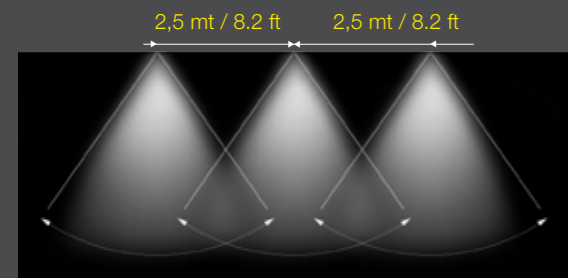
- Power: 130 W
- Power Supply: 24 V DC
- Current / Amp draw: 5.5 A @ 24 V DC
- Efficiency: 20 Lm/W
- Color Temperature: RGB+W
- Optional Power Supply: 110 - 220 V AC



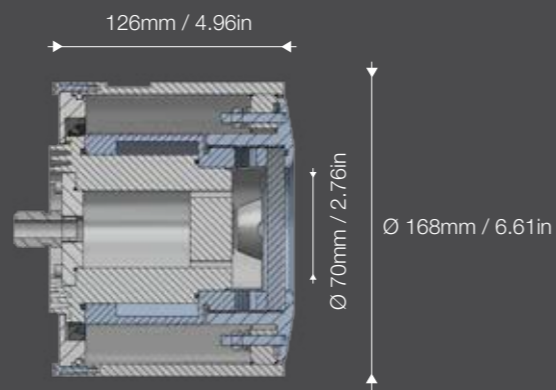
LIGHT POSITIONING

In order to create the best lighting effect around the yacht, we will provide advice about quantity, depth of fixture and spacing between each SEALED®.

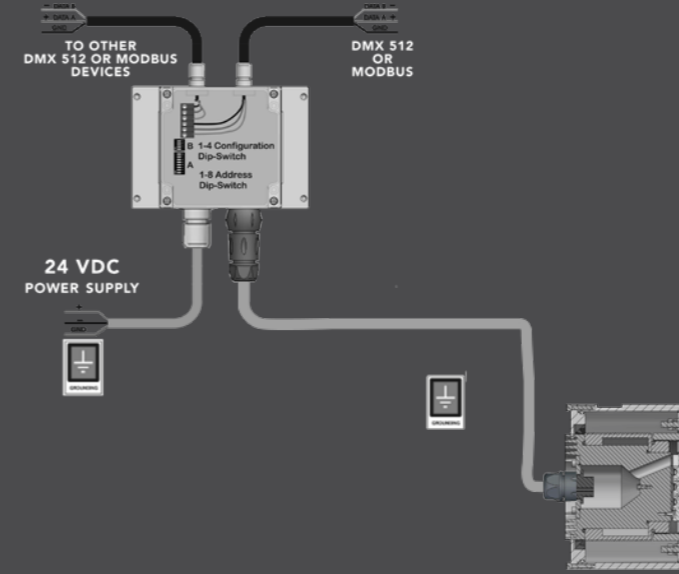
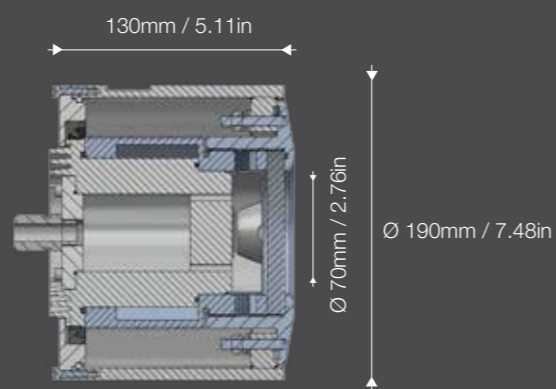
The effect in the water can vary from straight spears of light to a nice and relaxing halo around the hull simply positioning the lights at the desired distance one from the other. As a general rule we advise to place the lights at a maximum distance of 2,5mt one from the other.



STAINLESS STEEL VERSION.



ALUMINUM VERSION.



DRIVER SPECIFICATIONS

Input Voltage	24 V DC
Min / max operating voltage	20 - 32 V DC
Current / Amp Draw	5.5 A @ 24 V DC
Power consumption	130 watts
Width	165mm
Length	175mm
Height	80mm
Connector Type	IP68
DMX / Mod Bus Compatible	Yes
Over / Under voltage protection	Yes
Reverse polarity protection	Yes
Transient spike protection	Yes
EMC Compliant	Yes
IP Rating of Unit	IP67

DOMOTIC SPECIFICATIONS

Domotic interface enhances the options of the lighting project and make life easier and more functional thanks to the use of most advanced technologies like ModBus or DMX 512.

The system can be applied in any living area onboard like the comfort, the safety, the energy saving, the multimedia and the control from remote.

The system is ready to integrate any application or device right from the beginning without limiting the future upgrades to new systems or communication standards.



SEALED®

FY / SERIES



FIBERGLASS HULLS VERSION

HIGH EFFICIENCY AND LONG LIFESPAN



“The SEALED® FY is a very low profile stainless steel AISI 316L flush-mount light specifically designed for fiberglass hulls. All SEALED® lights are serviceable from inside the yacht for a quick and easy inspection of the light body.

SEALED® FY lights are very powerful to create a beautiful halo effect around the yacht. High efficiency light is the result of the design of the reflector and the guaranteed quality of each LED.

SEALED® FY are also available in RGB+W with Bus multimedia control to offer the most versatile and easy-to-use experience through a variety of standards and devices of the latest generation smartphones and tablets.”

EXPLODED VIEW DRAWING

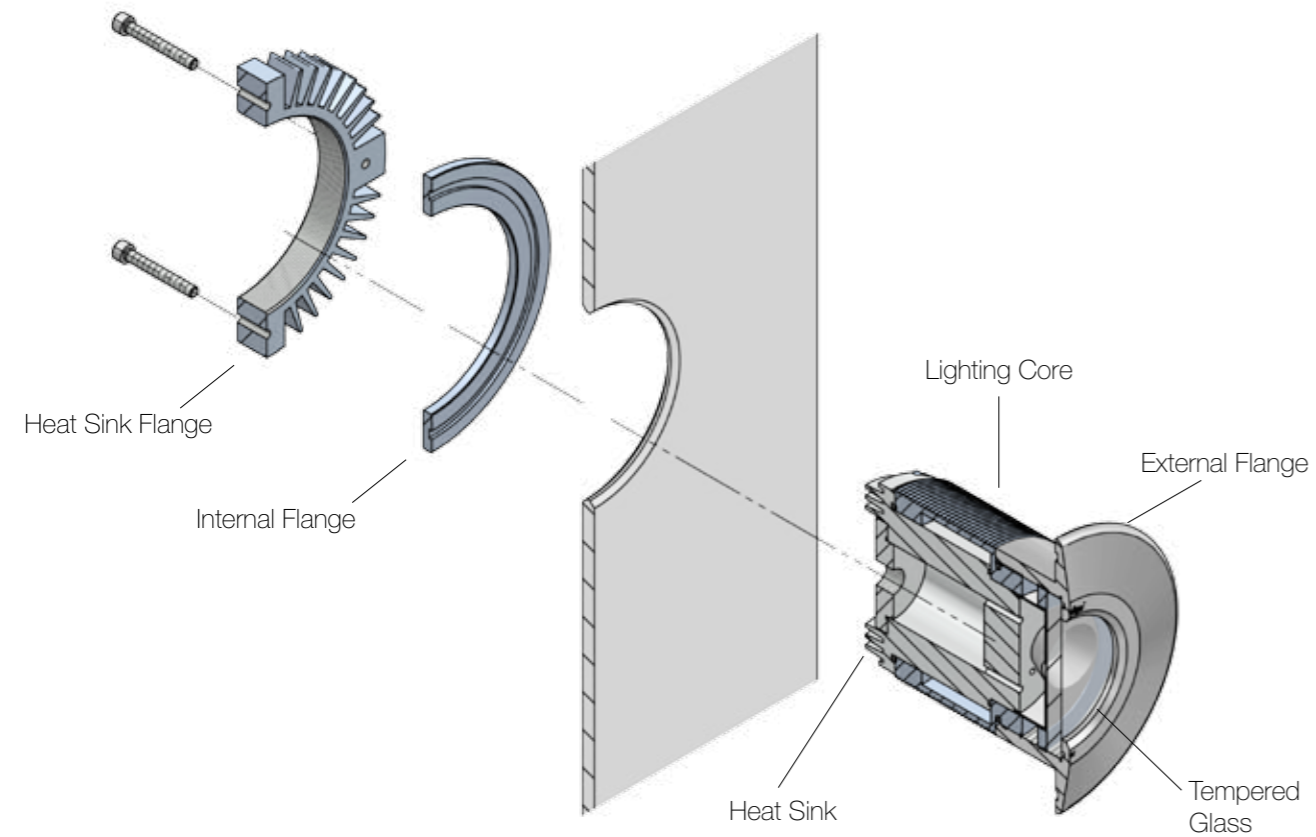


Fig.1

TECHNICAL DESCRIPTION

The care for the details guarantees the extreme reliability and safety of the SEALED® SY.

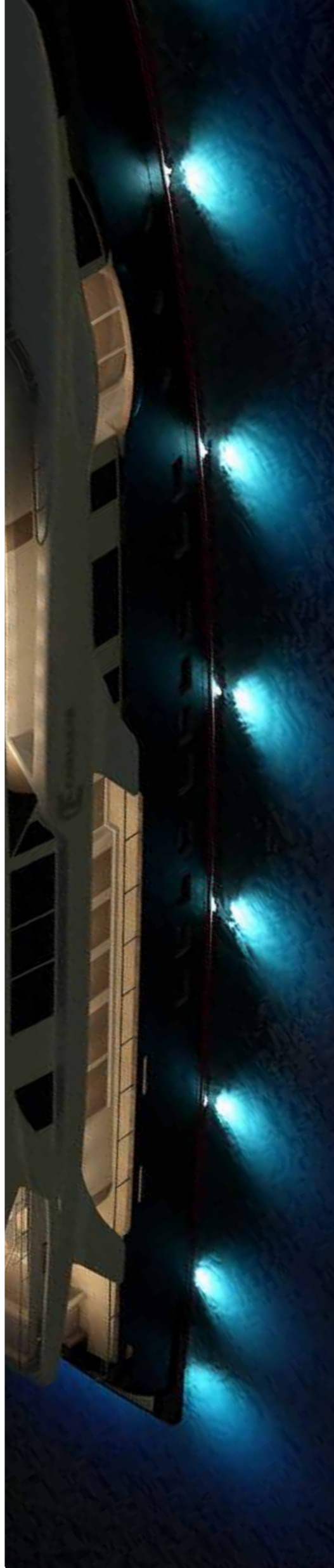
The exploded view drawing (fig.1) shows a dedicated design focused on the simplicity for an easy installation and inspection of the light.

The assembly is accurately designed to create the most resistant and safest barrier between the submerged hull and the yacht.

The aluminum reflector applied to the Lighting Core gives a wide beam angle for the best halo effect around the yacht.

The rear cap with two O-Rings is bolted to the Lighting Core granting the perfect watertight protection to the light body.

The quality of the materials used and the design of the Heat Sink are unique points of strength for the light efficiency.



FIXTURE COMPOSITIONING

SEALED® SY are designed and manufactured to perform at the highest levels. The materials used are of the best quality to work in the harshest environments. The Light Body (fig.1) is assembled and sealed in one piece in the factory to grant the highest watertight protection. The Tempered Glass is 10mm thick and highly resistant to the impacts.

The aluminum reflector, protected from the environment by a film of sprayed metallic paint, offers the widest beam angle for the maximum light efficiency. The Light Body guarantees, through screws and O-Rings, the perfect mechanical holding. Everything has been tested in compliance with the highest standard and regulations.

Figure 2 shows how easy is to remove the Lighting Core from inside the hull without hauling the yacht should servicing ever be required.

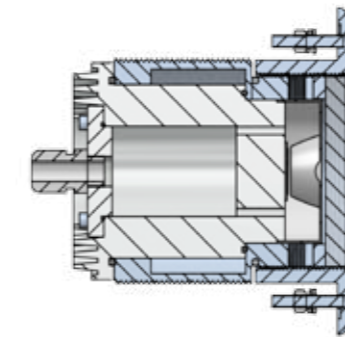


Fig.1

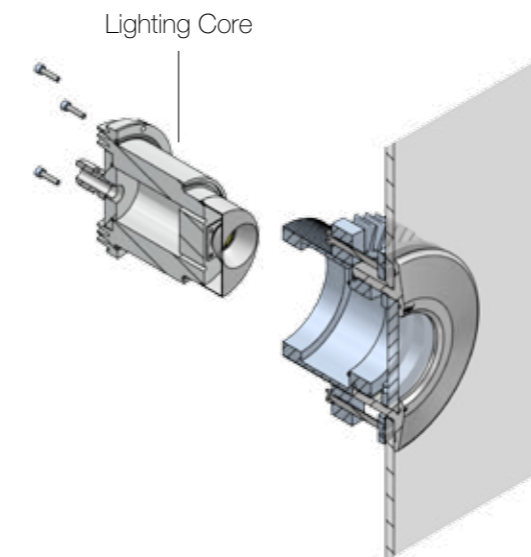


Fig.2

WATERTIGHT PROTECTION

The SEALED® SY are designed to offer two protection barriers (fig.3) against the external water pressure. Each barrier is tested through dedicated procedures in compliance with the naval certifications.

1st Barrier:

This is first and most important protection against the water pressure. The External Flange, the Tempered Glass and the Heatsink Flange bolted against the hull form a single body that guarantees the perfect watertight protection.

In the lab a 320 kPa pressure is applied to this part to pass the tests.

2nd Barrier: Lighting Core.

The Lighting Core, factory sealed, makes the second barrier.

3rd Barrier: Rear Cap.

The Rear Cap bolted to the Lighting Core closes it making the fixture completely watertight.

This is the last and ultimate barrier against the accidental water ingress. It grants the maximum safety level to the SEALED® SY. The Power Cable goes from the Lighting Core to the DC line through an IP68 Cable Gland.

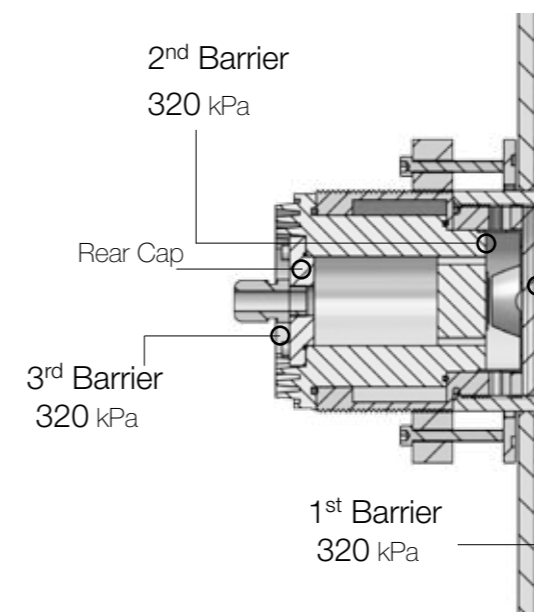


Fig.3



STANDARD INSTALLATION

The SEALED® FY are the most innovative underwater lights present in the market place. The standard installation considers the secure fixing of the light body with six allen screws tightly bolted onto the inside of the hull.

With the built-in driver the power cable goes through an IP68 Cable Gland and connects directly to the 24V DC line guaranteeing the safest installation onboard.

The closure of the Rear Cap completes the installation to assure a perfect watertight protection in respect of the marine certifications.

SAFETY REGULATIONS

SEALED® FY lights are all certified by the most important survey and certification authorities.

The standards for the design, construction and installation are compliant with the rules and regulations required for the classification.

We recommend to apply an additional watertight protection case around the Light Body to perfectly protect the yacht against accidental water ingress.

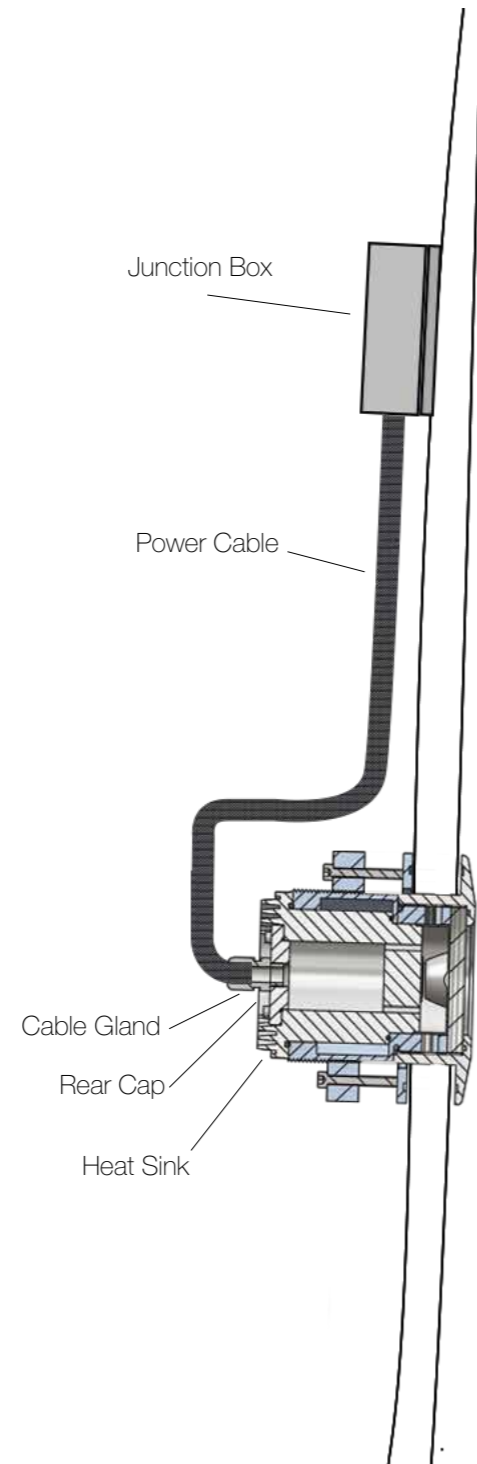


Fig.1



Fig.2



Fig.3

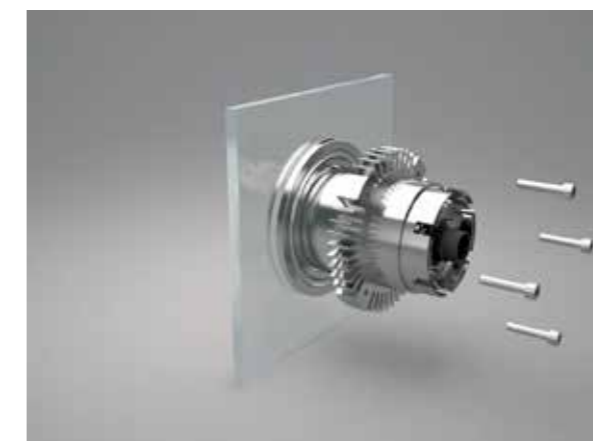


Fig.4

MOUNTING SYSTEM

SEALED® FY are designed and manufactured to perform at the highest levels. The materials used are of the best quality to work in the harshest environments.

The Light Body is assembled and sealed in one piece in the factory to grant the highest watertight protection. The Glass is made of Tempered Glass 10mm thick highly resistant to the impacts.

The aluminum reflector, protected from the environment by a film of sprayed metallic paint, offers the widest beam angle for the maximum light efficiency. All has been tested in compliance with the highest standards and regulations.

The use of the a specific sealant on both sides of the flange is recommended for a watertight protection.

Fig. 1 and 2 show the insertion of the Light Body through the hole. The light is then coupled with the Internal Flange.

FINAL INSTALLATION STAGE

In Fig. 3 and 4 the Heatsink Flange is tightly pressed on the surface of the hull by mean of four bolts to guarantee the maximum watertight protection and solidity of the structure.

Thanks to the built-in driver the Lighting Core is easily removable from inside the hull without hauling the yacht should servicing ever be required.

BUILT-IN DRIVER

In the SEALED® SY the driver is integrated in the Lighting Core offering the maximum protection against electrical spikes, interferences and overheating.

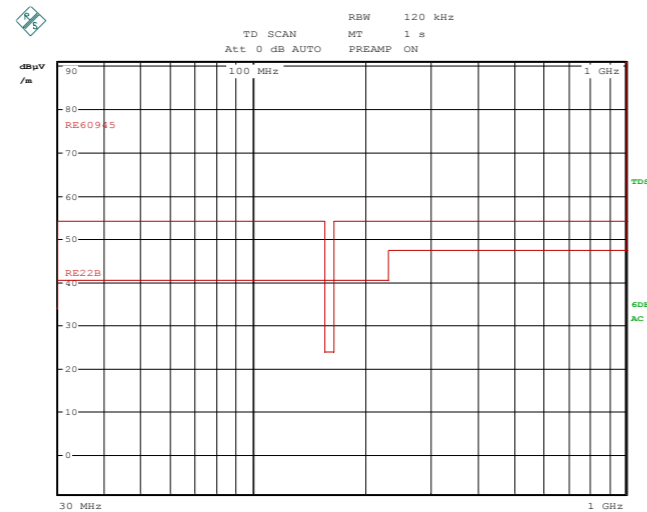
Thanks to the built-in driver the light operates at 24V DC and can be connected to the DC line for the safest installation onboard.



EMC / RADIO MARINE TEST

Electromagnetic Compatibility:

1. Radiated Radio Frequency emission test
2. Immunity to conducted disturbance, inducted by radio frequency fields.



FY9

ORDER CODE: 90SEALES160240SSN2030

LUMENS: 9.000 WATTS: 80 W

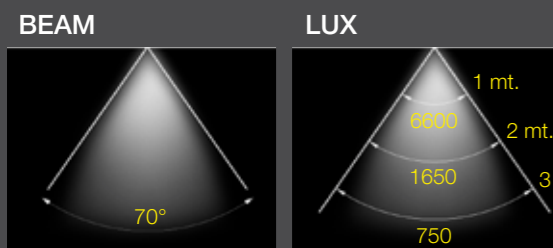
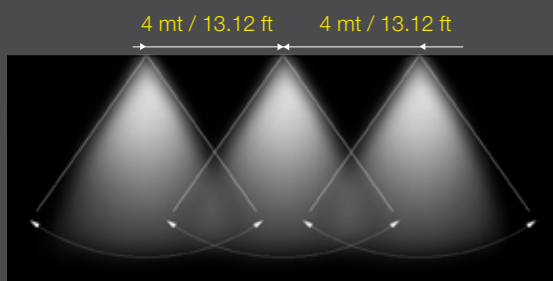
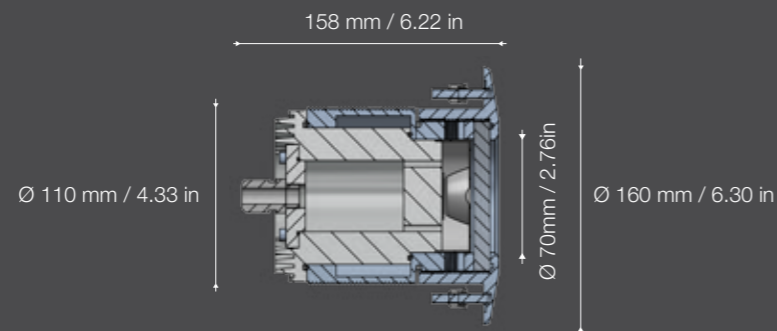
In the SEALED® FY9 light the driver is built in the Lighting Core.

Technical Data:

- Power: 80 W
- Power Supply: 24 V DC
- Current / Amp draw: 3,5 A @ 24 V DC
- Efficiency: 97 Lm/W
- Color Temperature: 5000 K
- Optional Power Supply: 110 - 220 V AC
- Also available in Blue colour

LIGHT POSITIONING

In order to create the best lighting effect around the yacht, we will provide advice about quantity, depth of fixture and spacing between each SEALED®. The effect in the water can vary from straight spears of light to a nice and relaxing halo around the hull simply positioning the lights at the desired distance one from the other. As a general rule we advise to place the lights at a maximum distance of 4mt one from the other.



FY5

ORDER CODE: 90SEALES160140SSN2030

LUMENS: 5.000 WATTS: 40 W

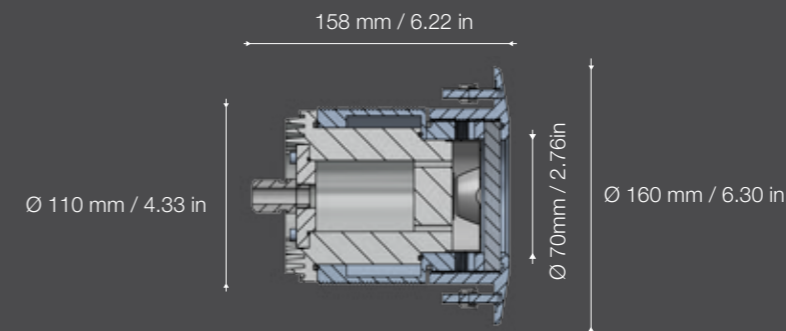
In the SEALED® FY5 light the driver is built in the Lighting Core.

Technical Data:

- Power: 40 W
- Power Supply: 24 V DC
- Current / Amp draw: 1,7 A @ 24 V DC
- Efficiency: 106 Lm/W
- Color Temperature: 5000 K
- Optional Power Supply: 110 - 220 V AC
- Also available in Blue colour

LIGHT POSITIONING

In order to create the best lighting effect around the yacht, we will provide advice about quantity, depth of fixture and spacing between each SEALED®. The effect in the water can vary from straight spears of light to a nice and relaxing halo around the hull simply positioning the lights at the desired distance one from the other. As a general rule we advise to place the lights at a maximum distance of 4mt one from the other.



FYR2

ORDER CODE: 90SEALES16013SSRGBW

WATTS: 130 W

The SEALED® FYR2 brings millions of colours into your life. Any colour can be selected to best suit your personal taste or to maximize the effect in the water in every condition. Colours can be controlled via any devices with a colour palette through a third party interface.

The most advanced LEDs can combine up to 16 million shades of colours for a superior effect in the water.

SEALED® FYR2 includes the IP65 rated driver at 24V DC and 5 mt power cable with IP68 Souriau Plug & Play connectors



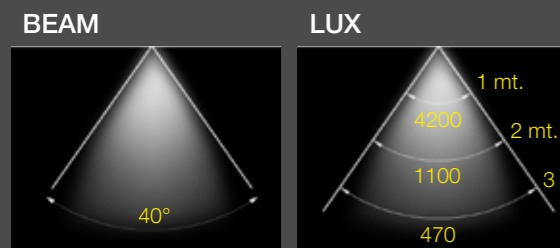
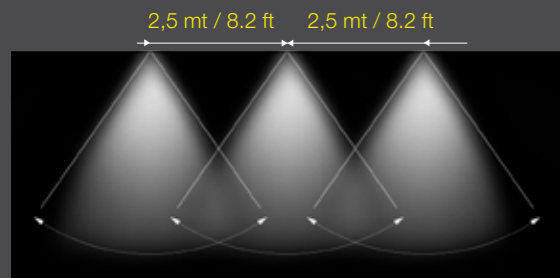
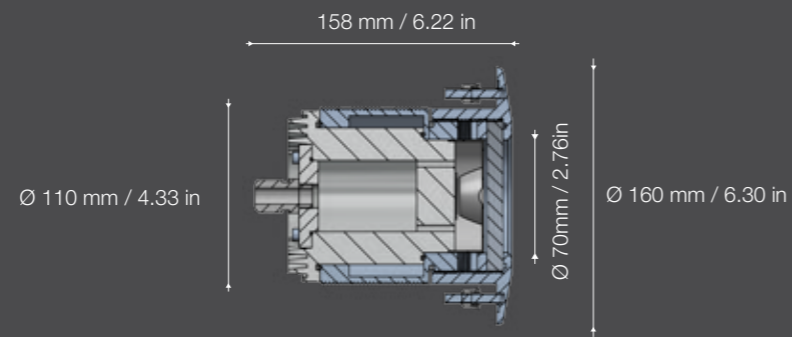
Technical Data:

- Power: 130 W
- Power Supply: 24 V DC
- Current / Amp draw: 5,5 A @ 24 V DC
- Efficiency: 22 Lm/W
- Color Temperature: RGB+W
- Optional Power Supply: 110 - 220 V AC

LIGHT POSITIONING

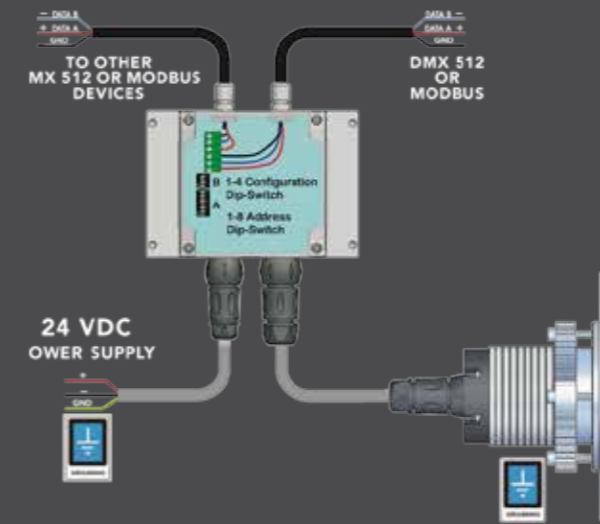
In order to create the best lighting effect around the yacht, we will provide advice about quantity, depth of fixture and spacing between each SEALED®.

The effect in the water can vary from straight spears of light to a nice and relaxing halo around the hull simply positioning the lights at the desired distance one from the other. As a general rule we advise to place the lights at a maximum distance of 2,5mt one from the other.



DRIVER SPECIFICATIONS

Input Voltage	24 V DC
Min / max operating voltage	20 - 32 V DC
Current / Amp Draw	5,5 A @ 24 V DC
Power consumption	130 watts
Width	165mm
Length	175mm
Height	80mm
Connector Type	IP68
DMX / Mod Bus Compatible	Yes
IP Rating of Unit	IP67
Over / Under voltage protection	Yes
Reverse polarity protection	Yes
Transient spike protection	Yes
EMC Compliant	Yes



DOMOTIC SPECIFICATIONS

Domotic interface enhances the options of the lighting project and make life easier and more functional thanks to the use of most advanced technologies like ModBus or DMX 512.

The system can be applied in any living area onboard like the comfort, the safety, the energy saving, the multimedia and the control from remote.

The system is ready to integrate any application or device right from the beginning without limiting the future upgrades to new systems or communication standards.



FY3

ORDER CODE: 90SEALES120126SSN2030

LUMENS: 3.000 WATTS: 26 W

In the SEALED® SY FY3 light the driver is built in the Lighting Core.

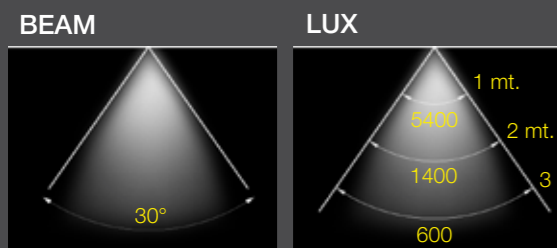
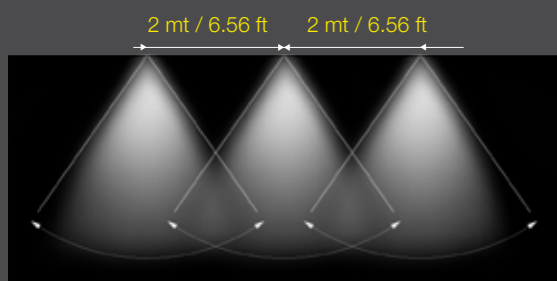
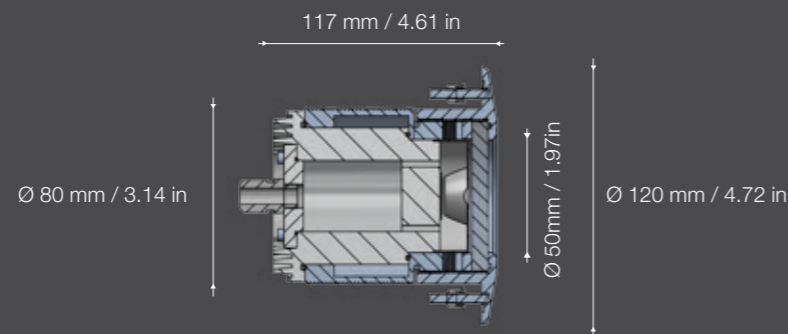
Technical Data:

- Power: 26 W
- Power Supply: 24 V DC
- Current / Amp draw: 1,2 A @ 24 V DC
- Efficiency: 74 Lm/W
- Color Temperature: 5000 K
- Optional Power Supply: 110 - 220 V AC
- Also available in Blue colour



LIGHT POSITIONING

In order to create the best lighting effect around the yacht, we will provide advice about quantity, depth of fixture and spacing between each SEALED®. The effect in the water can vary from straight spears of light to a nice and relaxing halo around the hull simply positioning the lights at the desired distance one from the other. As a general rule we advise to place the lights at a maximum distance of 2mt one from the other.



FY1

ORDER CODE: 90SEALES75113SSN2030

LUMENS: 1.100 WATTS: 13 W

In the SEALED® FY1 light the driver is built in the Lighting Core.

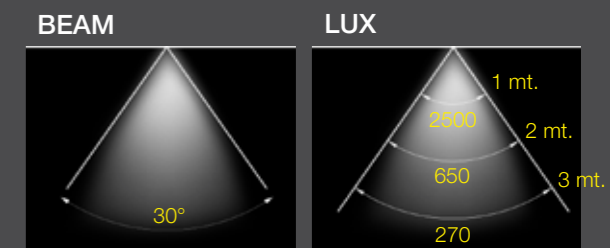
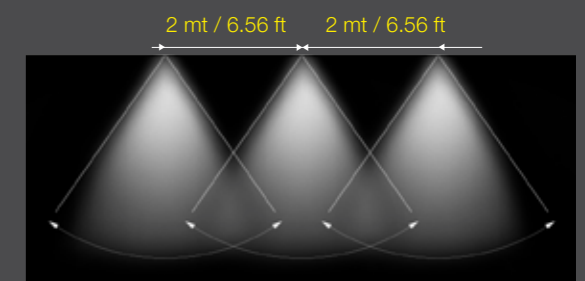
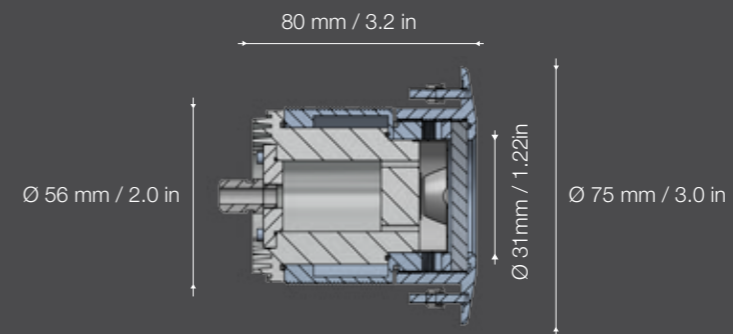
Technical Data:

- Power: 13 W
- Power Supply: 24 V DC
- Current / Amp draw: 0,6 A @ 24 V DC
- Efficiency: 68 Lm/W
- Color Temperature: 5000 K
- Optional Power Supply: 110 - 220 V AC
- Also available in Blue colour



LIGHT POSITIONING

In order to create the best lighting effect around the yacht, we will provide advice about quantity, depth of fixture and spacing between each SEALED®. The effect in the water can vary from straight spears of light to a nice and relaxing halo around the hull simply positioning the lights at the desired distance one from the other. As a general rule we advise to place the lights at a maximum distance of 2mt one from the other.



ANCHORLIGHT®



“The ANCHORLIGHT® is one of the newborn models of the SEALED® series. The light incorporate the very latest LED technology projecting the beam further on the water.

With its special design the ANCHORLIGHT® enhances the charme of the yacht giving a different perspective and a nuance of captivating beauty whilst helping the crew during the sail off .

The ANCHORLIGHT® operates out of the water with no risk of overheating thanks to its incredible low temperature and capability to dissipate the heat quickly.”

**THE GUARANTEE OF
SAFETY, POWER AND
EFFICIENCY**

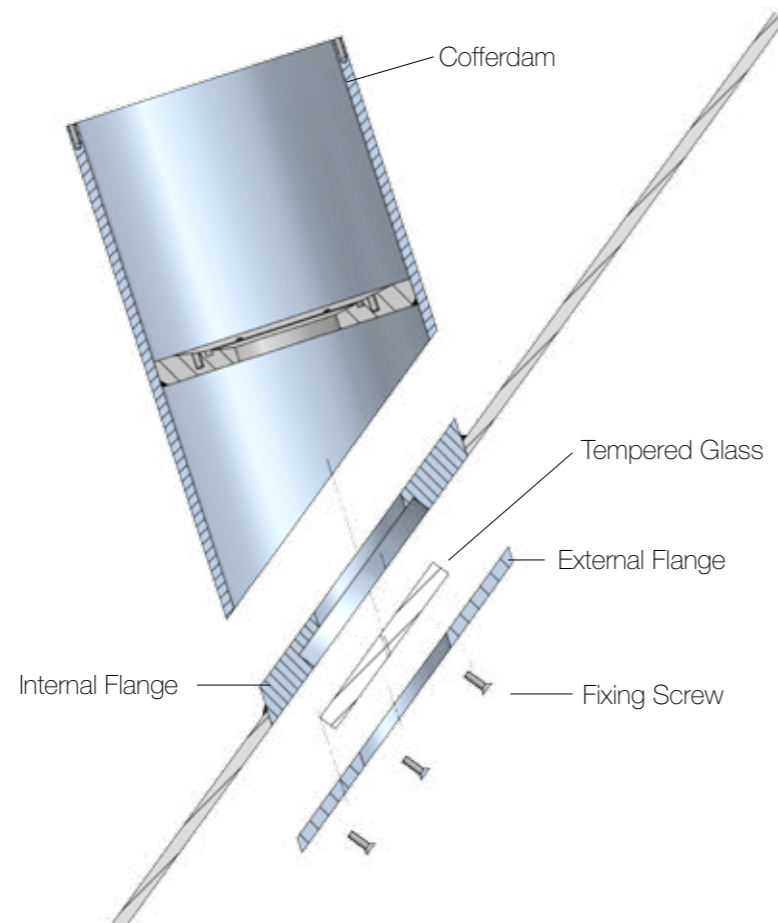


SEALED® ANCHORLIGHT

TECHNICAL DESCRIPTION

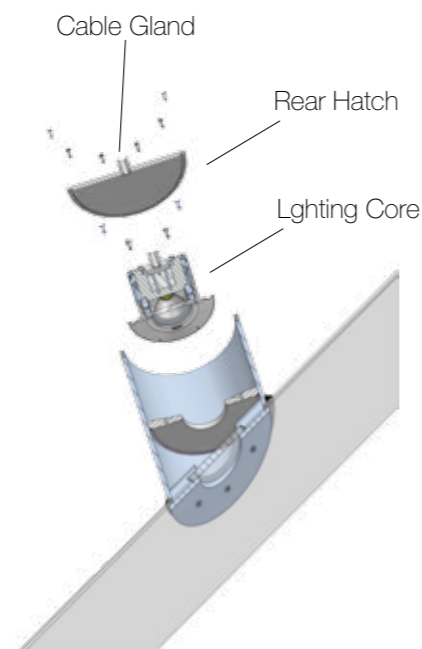
Welded on the bow close to the anchor chain gateway, the ANCHORLIGHT® shows a dedicated design focused on the simplicity for an easy installation and inspection of the light.

The cofferdam is supplied while the construction drawings are developed together with the customer in order to guarantee the best light effect in the water.



LIGHTING CORE REPLACEMENT

The picture shows how easy is to remove the Lighting Core from inside the hull should servicing ever be required.



SEALED® ANCHORLIGHT

ANCHORLIGHT

ORDER CODE: AVAILABLE ON REQUEST

LUMENS: 5.000 **WATTS: 40 W**

In the SEALED® ANCHORLIGHT the driver is built in the Lighting Core.

Technical Data:

- Power: 40 W
- Power Supply: 24 V DC
- Current / Amp draw: 1,7 A @ 24 V DC
- Efficiency: 106 Lm/W
- Color Temperature: 5000 K
- Optional Power Supply: 110 - 220 V AC
- Also available in Blue colour



COFFERDAM

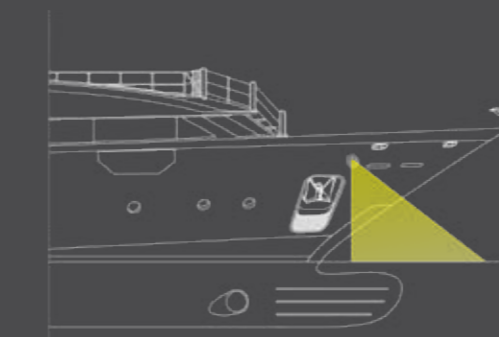
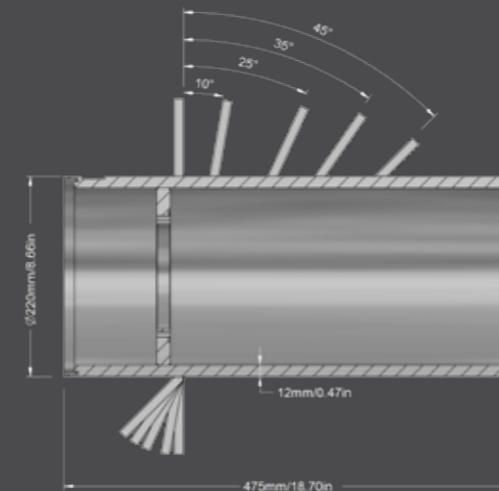
The cofferdam (fig.1) is made of carbon Steel API5LX52 protected with anti-corrosion primer. Inside the cofferdam there are some indents to secure the mechanical tightness of the light body.

The cofferdam and the light body form a single piece compact and resistant thus safe. All weldings to the cofferdam are made by expert and qualified operators in compliance with the UNI EN ISO 3834:2006 standards.

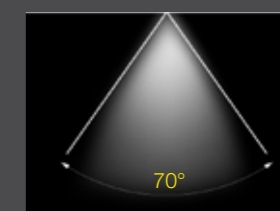
The weldings are certified and tested with the utmost accuracy through high quality instruments. With every cofferdam we give a quality assurance certification to guarantee them.

The 12mm thick cofferdam is far above the standards and the requirements for installations on large superyachts.

The length and the angle of the cut will be executed following the shipyard's drawings.



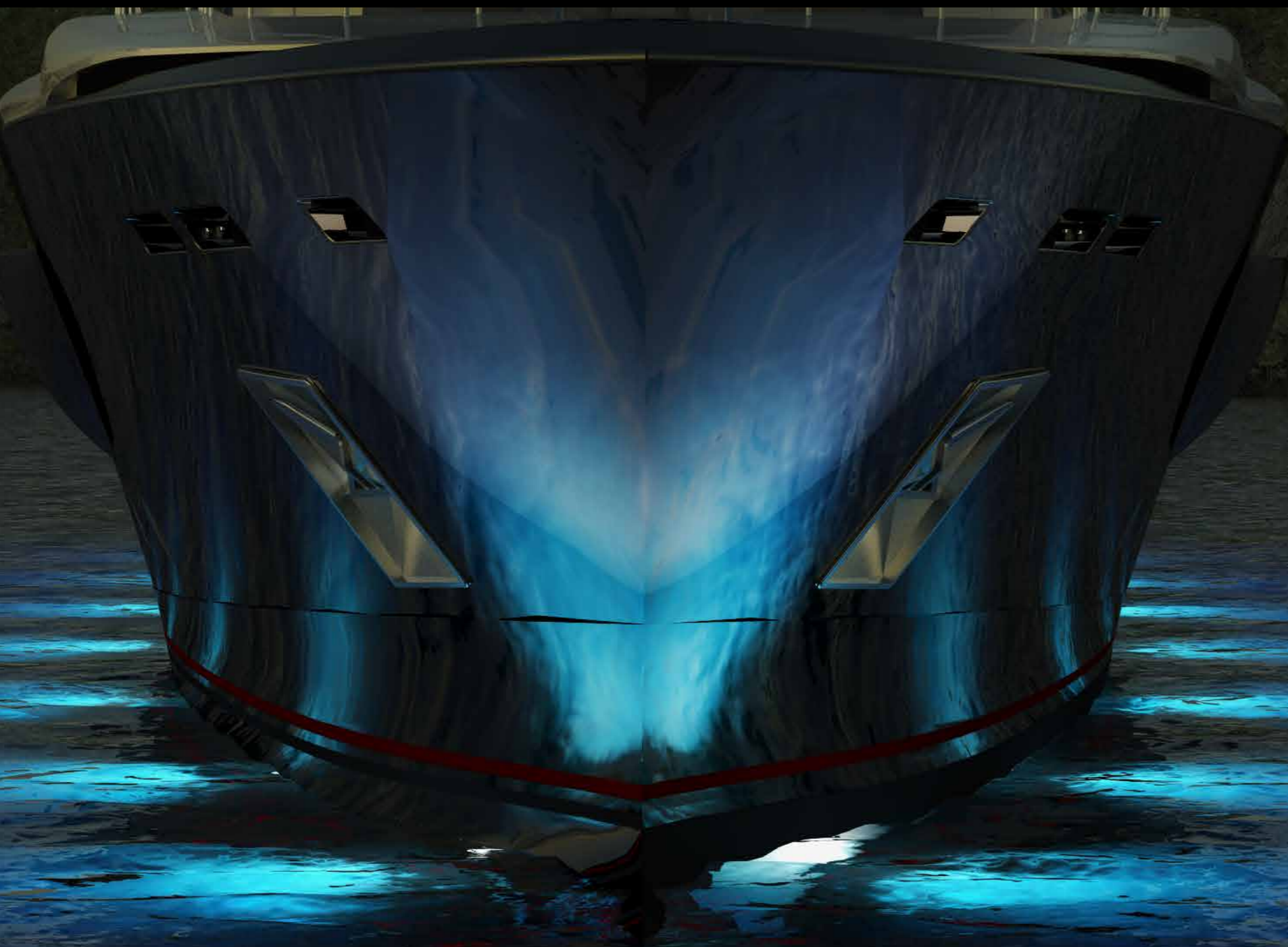
BEAM



LUX



BOWLIGHT®



THE GUARANTEE OF
SAFETY, POWER AND
EFFICIENCY



“The BOWLIGHT® is one of the newborn models of the SEALED® series. The light incorporates the very latest LED technology projecting the beam from the bulb to the tip of the bow.

With a special design the BOWLIGHT® enhances the charme of the yacht giving her a different perspective and a nuance of captivating beauty.”

BOWLIGHT SERIES

TECHNICAL DESCRIPTION

The care for the details guarantees the extreme reliability and safety of the SEALED® BOWLIGHT®. The exploded view drawing shows a dedicated design focused on the simplicity for an easy installation and inspection of the light.

The Tempered Glass couples the Cofferdam by means of the External Flange.

The Rear Hatch bolted to the Cofferdam grants the perfect watertight protection to the case. The quality of the materials used and the perfect design of the radiator are unique points of strength for the light efficiency.

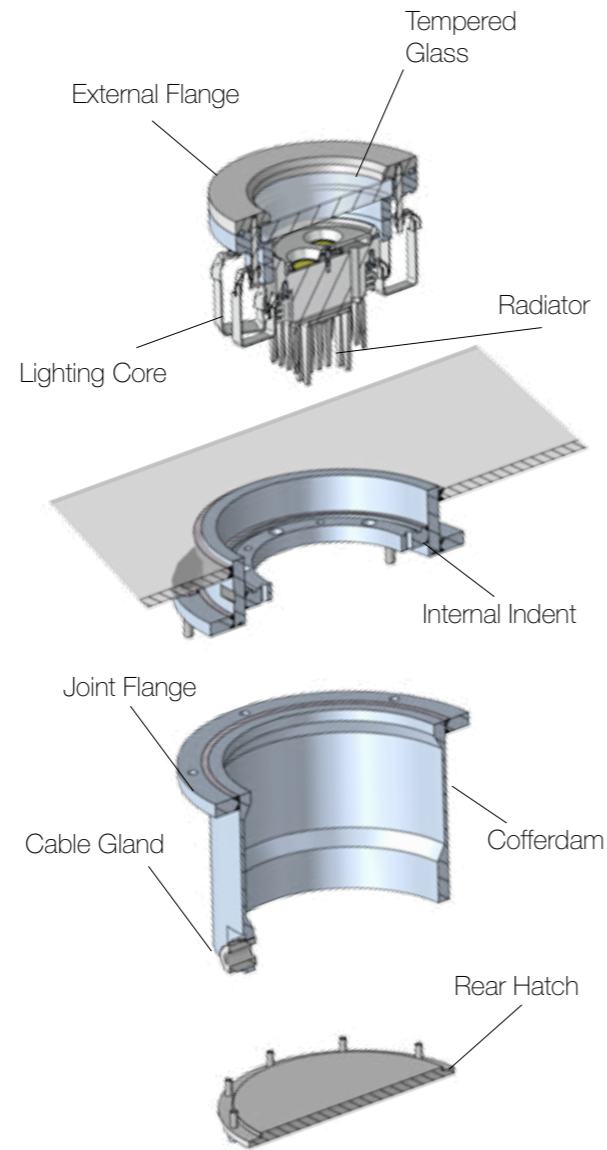
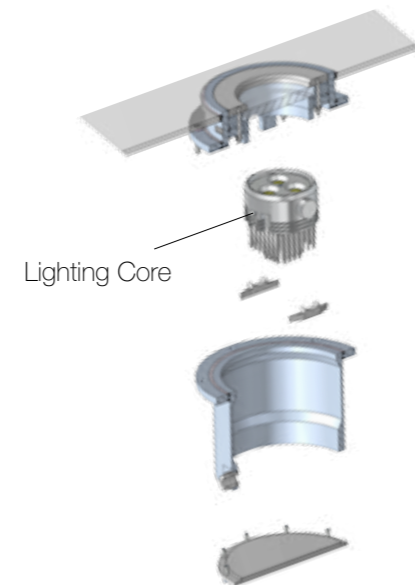


Fig.1

LIGHTING CORE REPLACEMENT

The pictures shows how easy is to remove the Lighting Core from inside the hull should servicing ever be required.



BOWLIGHT SERIES

BOWLIGHT

ORDER CODE: AVAILABLE ON REQUEST

LUMENS: 13.000 **WATTS: 160 W**

SEALED® BOWLIGHT includes the cofferdam with dimension of Ø 220 mm / 66.63 in, the IP67 rated driver at 24 V DC and 5 mt power cable with IP68 Lumberg Plug & Play connectors.

Technical Data:

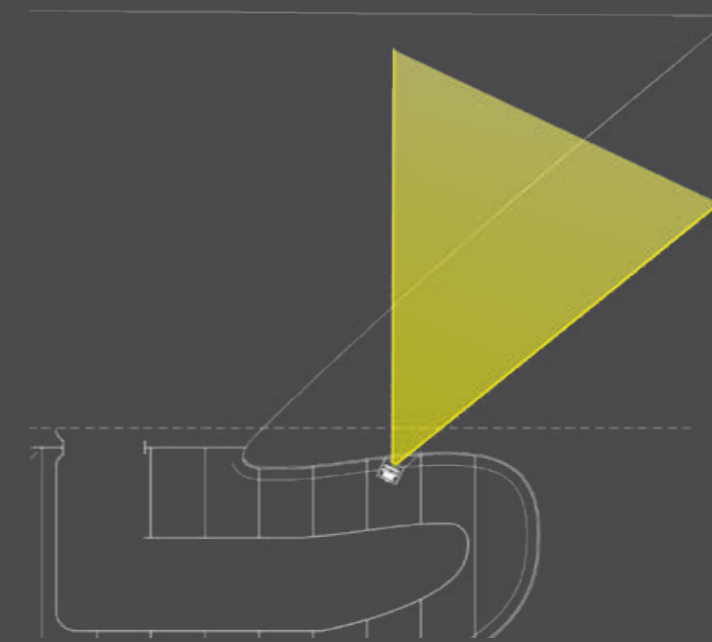
- Power: 160 W
- Power Supply: 24 V DC
- Current / Amp draw: 7 A @ 24 V DC
- Efficiency: 81 Lm/W
- Color Temperature: 5000 K
- Optional Power Supply: 110 - 220 V AC
- Available in: White and Blue colour

COFFERDAM

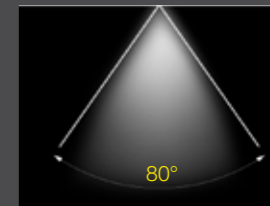
The cofferdam is made of carbon Steel API5LX52 protected with anti-corrosion primer. Inside the cofferdam there are indents to secure the mechanical tightness of the light body. The cofferdam and the light body form a single piece compact and resistant thus safe.

All weldings to the cofferdam are made by expert and qualified operators in compliance with the UNI EN ISO 3834:2006 standards. The weldings are certified and tested with the utmost. With every cofferdam we give a quality assurance certification to guarantee them.

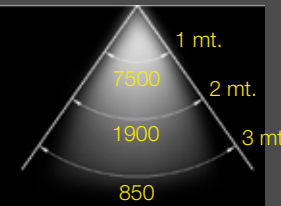
The cofferdam is 12mm thick which is far above the standards and the requirements for installations on large superyachts. This tiny but important detail shows the care and the focus posed on the design since the initial phases of the project of the SEALED® MY. Upon request we can supply a longer cofferdam to be customized by the shipyard.



BEAM



LUX



CERTIFICATIONS



UNI EN ISO 9001 VISION 2008
CERTIFIED BY ABS/QE (CERTIFICATE
N° 38045)

ISO 9001:2008 guarantees that from the design phase to delivery of products, all company processes operate in a constant way through well defined procedures finalised at the quality of service and the satisfaction of the client. All processes undergo regular verification by the Certifying Body American Bureau of Shipping - Quality Evaluations with the release of the relative certification. Cantalupi Lighting's Quality Management System is certified UNI - EN ISO 9001:2008 (Certificate n. 38045).



RESTRICTION OF HAZARDOUS
SUBSTANCES DIRECTIVE

The RoHS 2002/95/CE Directive - often referred to as the "Pbfree" directive, safeguards the consumer guaranteeing that all Cantalupi's products don't contain the following toxic substances: Lead, Mercury, Cadmium, hexavalent Chrome (Chrome VI or Cr6+), Polybrominated biphenyls (PBB), Polybrominated diphenyl ether (PBDE).



EUROPEAN
COMMUNITY MARK

All the Cantalupi® products are CE marked. This guarantees customers that the product has been designed and manufactured following precise technical directives for Low Current Appliances (2006/95/CE) and Electromagnetic Compatibility (CEE 89/336) finalised at the secure use of products



EFFICIENCY AND PROFESSIONALISM
FOR THE ENVIRONMENT

The WEEE 2002/96/CE Directive - Waste of Electrical & Electronic Equipments - states the norms of product disposal at the end of its life cycle. The crossed waste bin symbol indicates that in order to prevent any negative effects on the environment and on people, products included in the WEEE Directive should be disposed of separately from other household waste, by taking them to authorised collection centres, in accordance with the EU countries local waste disposal legislations. Cantalupi Lighting® S.r.l., for product disposed in the Italian territory, joins the Ecolight consortium



TYPE APPROVAL CERTIFICATE

This is to certify that the undernoted products have been tested with satisfactory results in accordance with the relevant requirements of the LR Type Approval System.

Marine and offshore use to a maximum working depth of 8 meters. (Maximum allowed external working pressure of 80.52 Kpa.)

EN 60598-1:2008 (Section 12.4).
EN 60529:1997 (Enclosure IP68).
EN 55016-2-1 (2009) + A1 (2011)
Conducted Emission Test.
EN 55016-2-3 (2010) - Radiated Emission Test.



MEMBER OF THE AMERICAN CHAMBER OF
COMMERCE IN ITALY

American Chamber of Commerce in Italy (AmCham), has as its scope the development and facilitation of the economic relations between the United States of America and Italy and to promote and safeguard the interests of its associated members in business relations between the two countries.

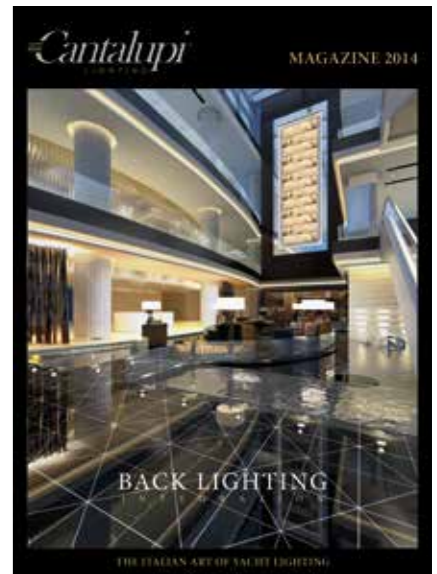


Cantalupi Lighting Magazine is the first step in the process of sharing information with our customers.

News about products will be accurately reported on these pages to update the readers and to inspire people.

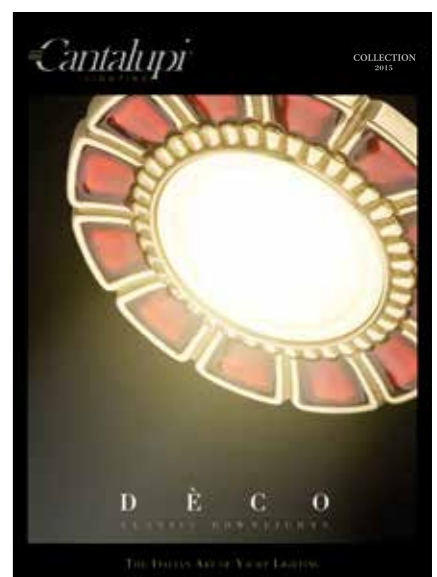
Designers always look for the latest innovations to fulfill the vision of the owners often asking for custom products: our Design & Styling department faces the challenges with vibrant attitude.

Cantalupi Lighting offers the best design and quality for a high-end collection of captivating, contemporary LED lights.



COLLECTIONS

Cantalupi Lighting follows all the manufacturing phases of every single product, from the design to the final realization. This is how our creations, categorized and specifically designed for the residential and yachting field, are born and produced according to the criteria of luxury, elegance and functionality that underlie the company's work.





This catalogue overtakes and replaces the previous ones.

All the products shown in the catalogue are manufactured in compliance with the European safety directives. The details about the conformity of the products can be found in the datasheets or in the instruction manuals.

Because of the constant evolution of the LED technology, the technical features of products manufactured in different periods may show up some slight differences, in particular concerning finishing or luminous flux, in order to enhance unceasingly performances and quality.

All the statements listed in this catalogue are indicative and they cannot be considered as binding for the company. Cantalupi Lighting reserves the right of modifying the products in order to improve their technical or quality features, even without prior notice.

Cantalupi Lighting reserves the right of discontinuing or replacing products inside this catalogue.

Any eventual changes will be communicated to the customers at the moment of the quotation or of the purchase order. For any further information please contact our customer care service.

Pictures and drawings in this catalogue may be used only as supports of advertising and promotional material concerning our products and our company. No picture or symbol extracted from our catalogue may be used without the consent of Cantalupi Lighting Srl.



Cantalupi Lighting srl
via Fosso Legnami, 217
55040 Piano di Mommio (LU)
ITALY

Tel. +39 0584 42791
Fax +39 0584 427999
www.cantalupilighting.it
info@cantalupilighting.it



Cantalupi USA, Inc.
616 Druid Road, East
Clearwater, FL 33756
USA

Phone +1 (727) 462 2526
Fax +1 (727) 462 2536
www.cantalupiusa.com
info@cantalupiusa.com

THE ITALIAN ART OF YACHT LIGHTING